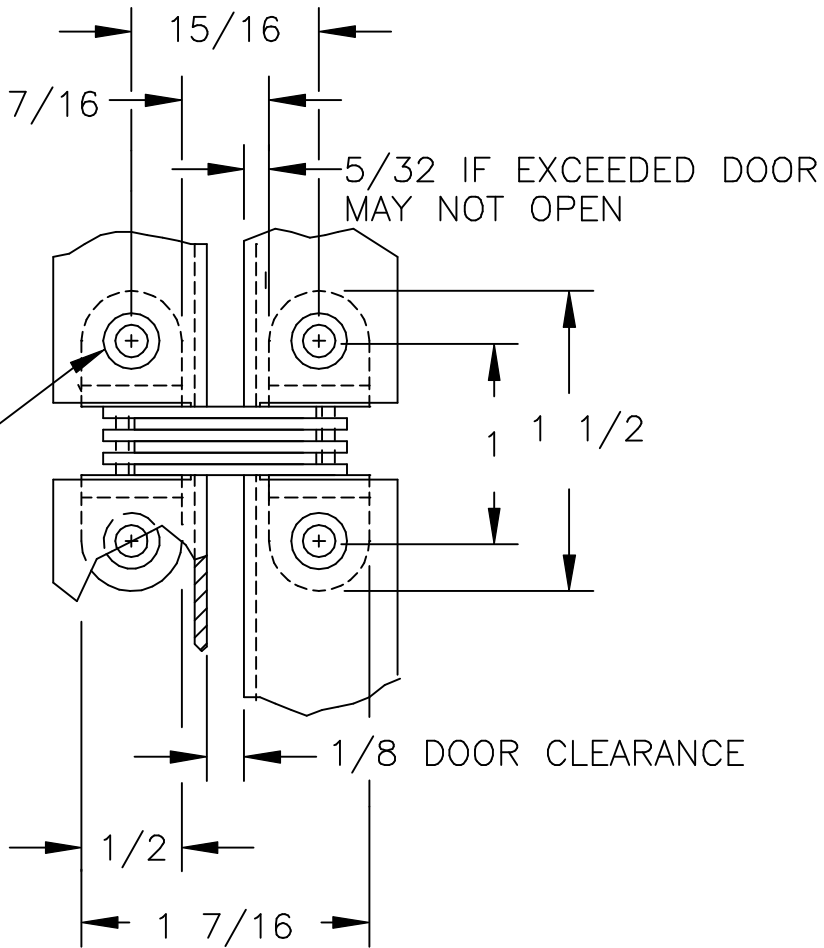


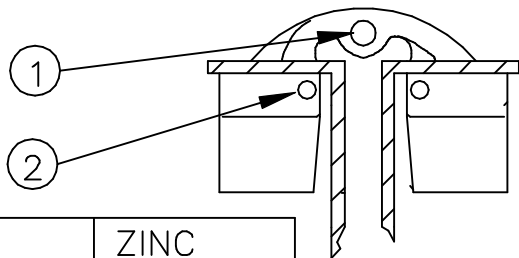
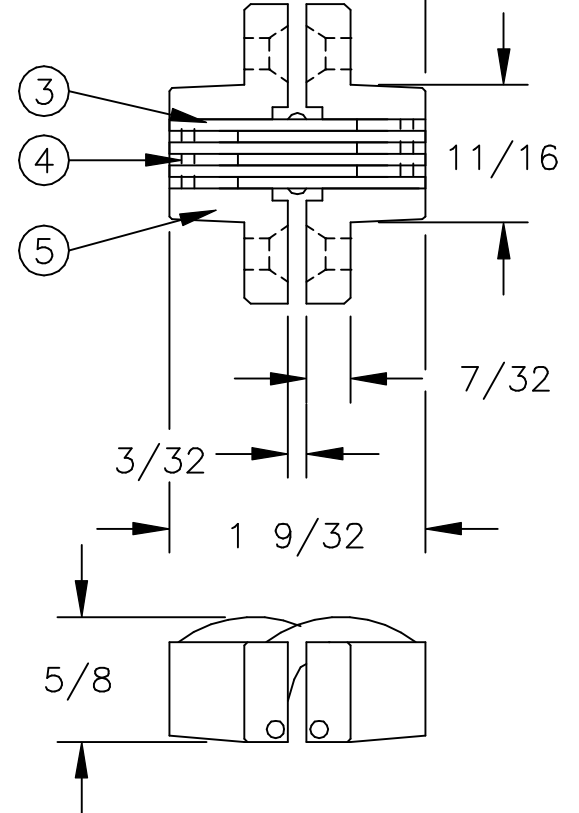
HINGE OPEN 180°

SPECIAL ORDER  
 FLAT HEAD MACHINE  
 #6-40 x 1/2"  
 OR  
 #6 x 1" WOOD SCREW

.161 DIA. WITH  
 9/32 DIA x 82° C'SINK



HINGE CLOSED



DO NOT SCALE DRAWING  
 DOOR CLEARANCE REDUCES TO 1/64" WHILE CLOSING  
 SEE DWG# 4477-C IF ADDING MATERIAL TO DOOR FACE

5	2	BODY	ZINC
4	2	CHANNEL PIN	STEEL
3	6	LINK	STEEL
2	2	LONG PIN	STEEL
1	1	RIVET PIN	STEEL
NO.	QTY.	PART NAME	MATERIAL

**UIP**

©Copyright 1998  
 Universal Industrial Products Co. Inc.  
 One Coreway Drive  
 Pioneer, Ohio 43554-0628

SCALE:  
 NOT TO SCALE

DRAWN BY:

HINGE TEMPLATE

DATE: 4/8/98

#114 SOSS INVISIBLE HINGE

DRAWING # 3944-C