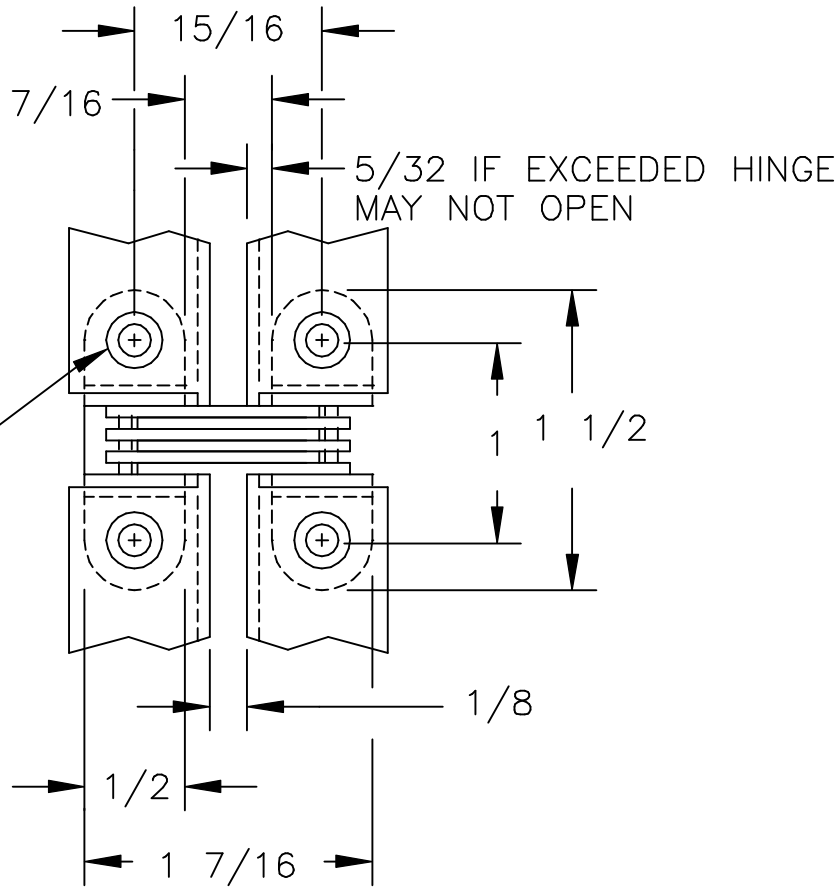
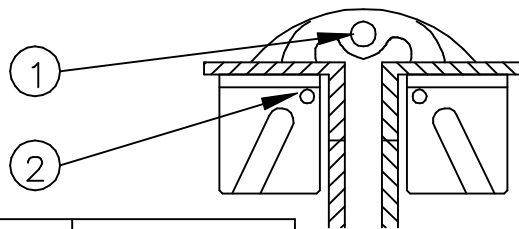


HINGE OPEN 180°

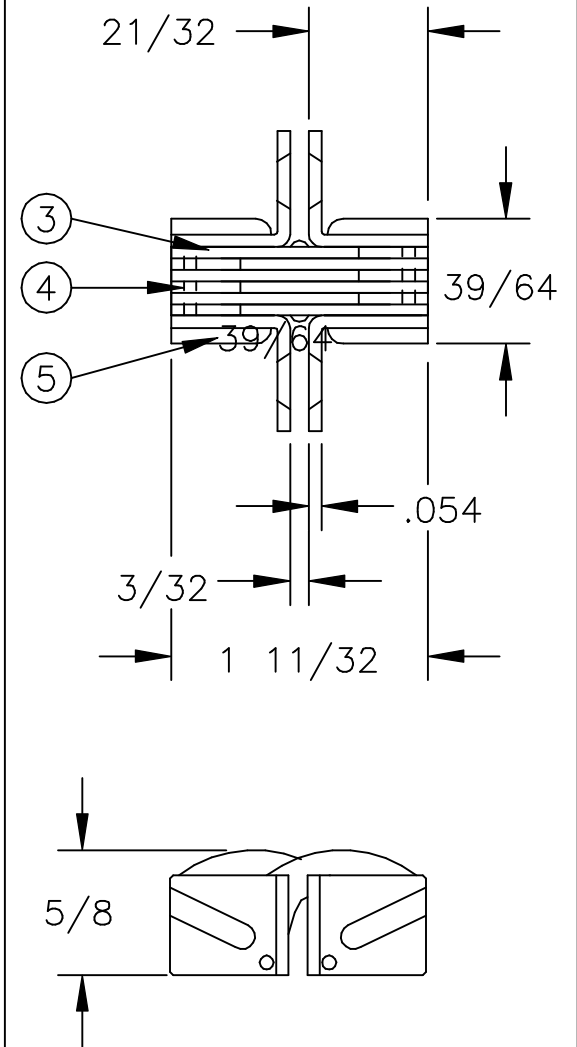


.200 DIA. WITH
1/4 DIA. x 82° C'SINK
WOOD SCREWS
#5 x 3/4" OR
MACH. SCREWS
#5-40 x 1/2"
ARE AVAILABLE



DO NOT SCALE DRAWING

HINGE CLOSED



5	2	BODY	STEEL
4	2	CHANNEL PIN	STEEL
3	6	LINK	STEEL
2	2	LONG PIN	STEEL
1	1	RIVET PIN	STEEL
NO.	QTY.	PART NAME	MATERIAL

UIP

©Copyright 1998
Universal Industrial Products Co. Inc.
One Coreway Drive
Pioneer, Ohio 43554-0628

HINGE TEMPLATE

#314 SOSS INVISIBLE HINGE

SCALE:

NOT TO SCALE

DRAWN BY:

R. SEIGNEUR

DATE:

4/8/98

DRAWING #

3956-C