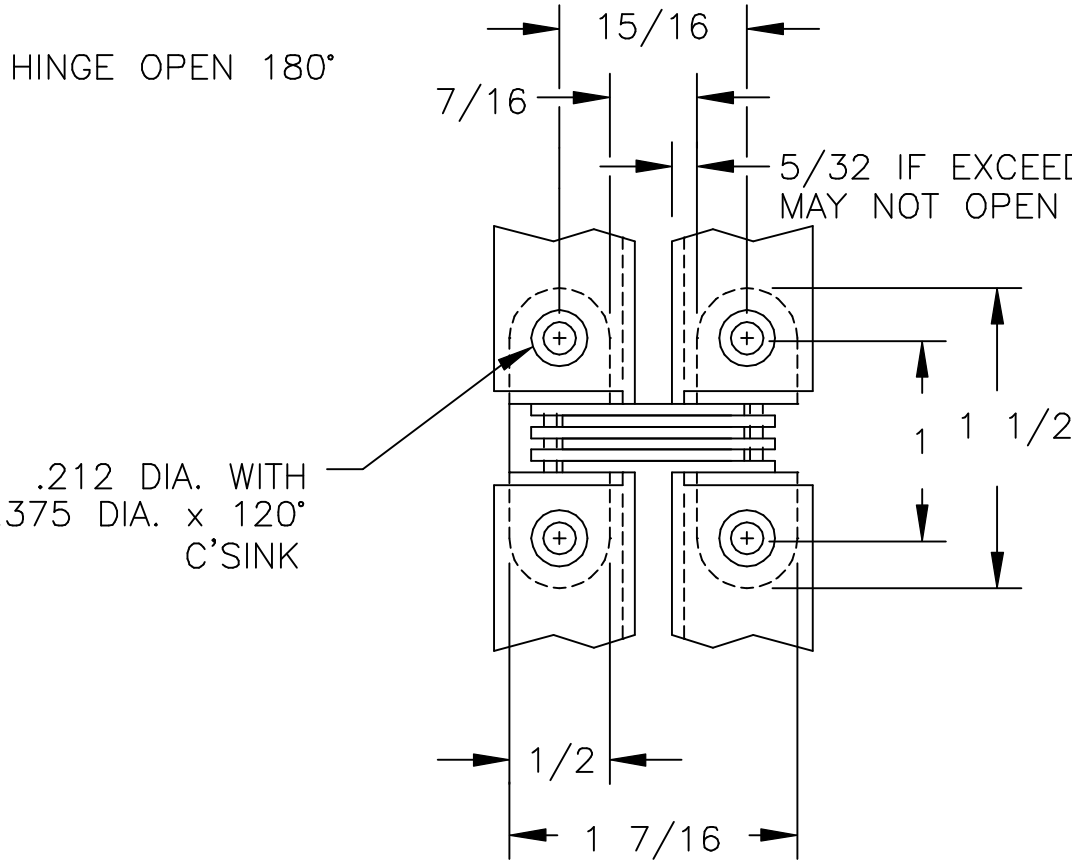
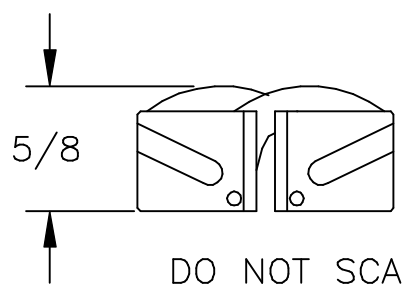
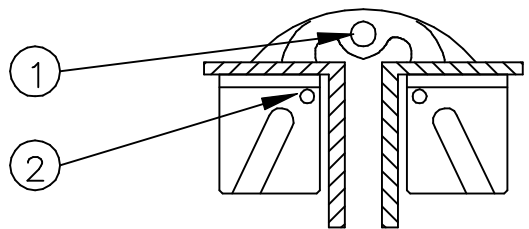
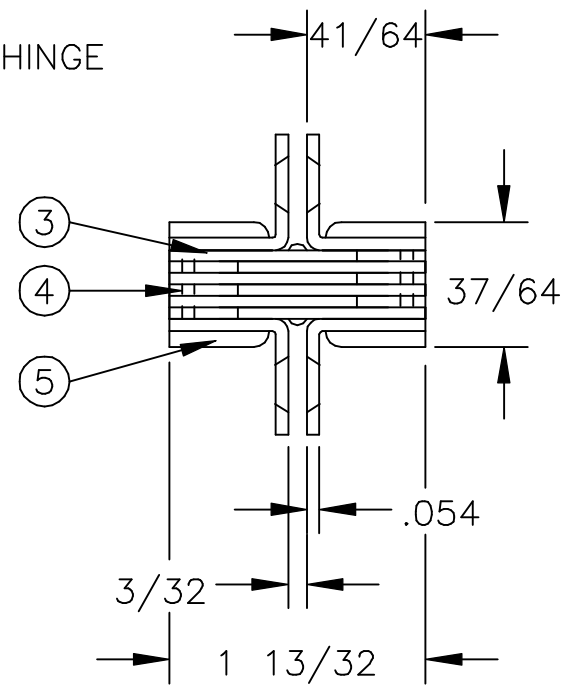


HINGE OPEN 180°




HINGE CLOSED



DO NOT SCALE DRAWING

NO.	QTY.	PART NAME	MATERIAL
5	2	BODY	STEEL
4	2	CHANNEL PIN	STEEL
3	6	LINK	STEEL
2	2	LONG PIN	STEEL
1	1	RIVET PIN	STEEL

 UNIVERSAL INDUSTRIAL PRODUCTS	SCALE: DO NOT SCALE
	DRAWN BY: J. SNEDDON
MATERIAL:	DATE: 3/3/88
#314M SOSS HINGE ASSEMBLY	DRAWING # 3963-A