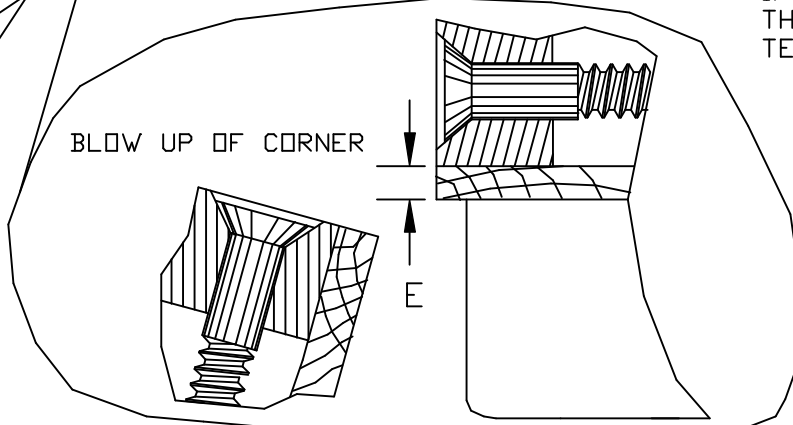
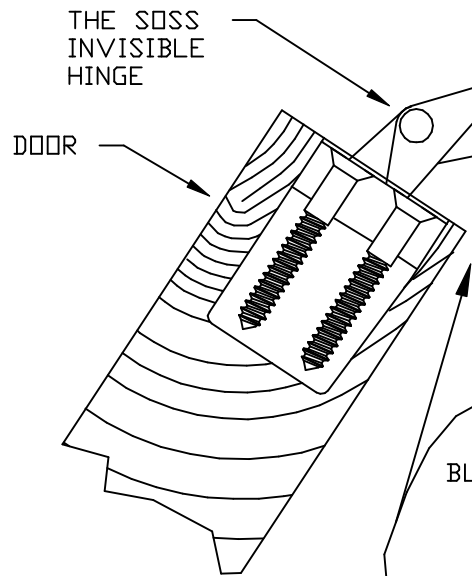
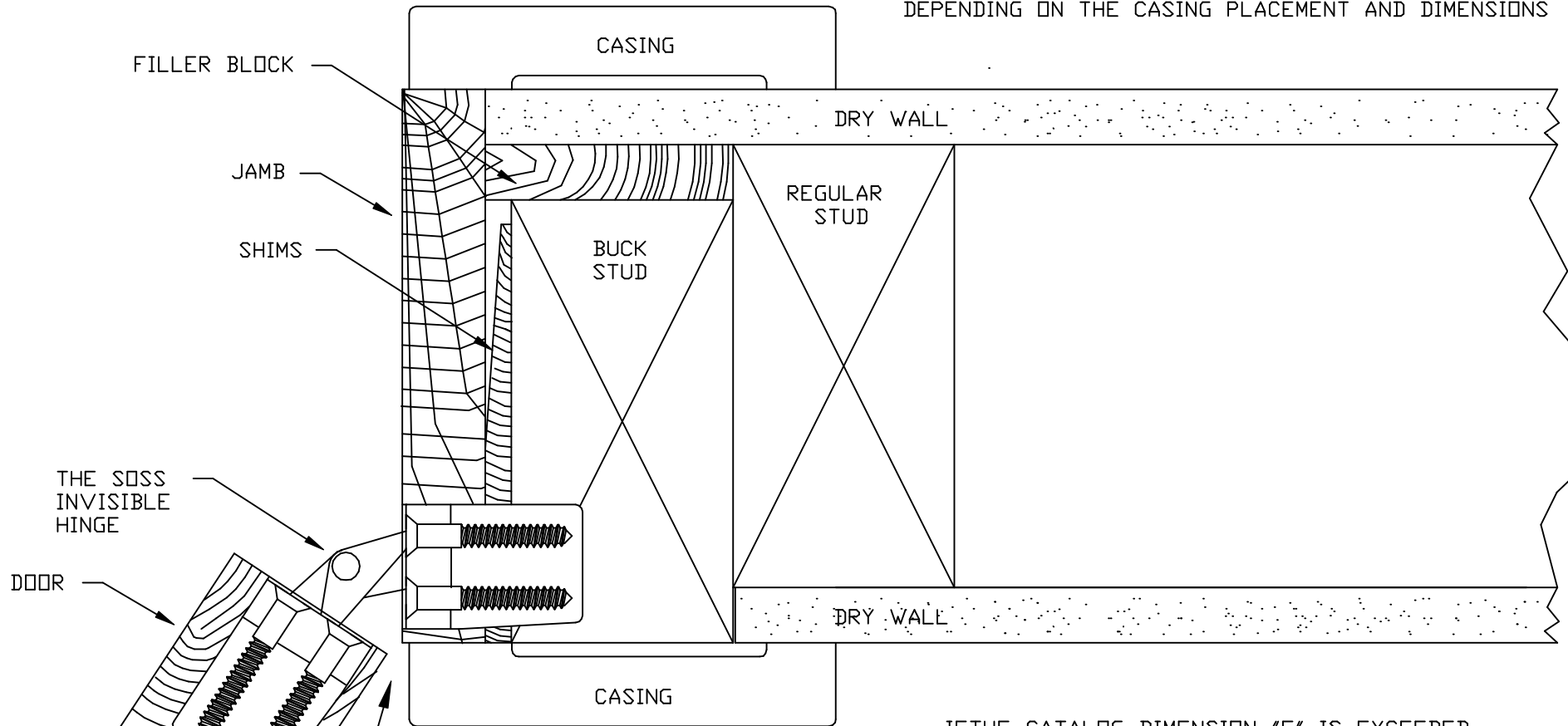


DOOR MAY OPEN APPROXIMATELY 95° TO 105° MAXIMUM  
 DEPENDING ON THE CASING PLACEMENT AND DIMENSIONS



IF THE CATALOG DIMENSION "E" IS EXCEEDED  
 THE DOOR MAY NOT OPEN, SEE APPROPRIATE  
 TEMPLATE FOR THIS DIMENSION

DO NOT SCALE DRAWING

<b>UIP</b> © Copyright 1998 Universal Industrial Products Co. Inc. One Coreway Drive Pioneer, Ohio 43554-0628	SCALE: NONE
	DATE: 4/8/98
MATERIAL: ZINC DIE CAST  NAME: CASED JAMB DETAIL	DRAWN BY: RLS
	SOSS INVISIBLE HINGE INSTALLATION DETAIL.
	DRAWING # 4036-C