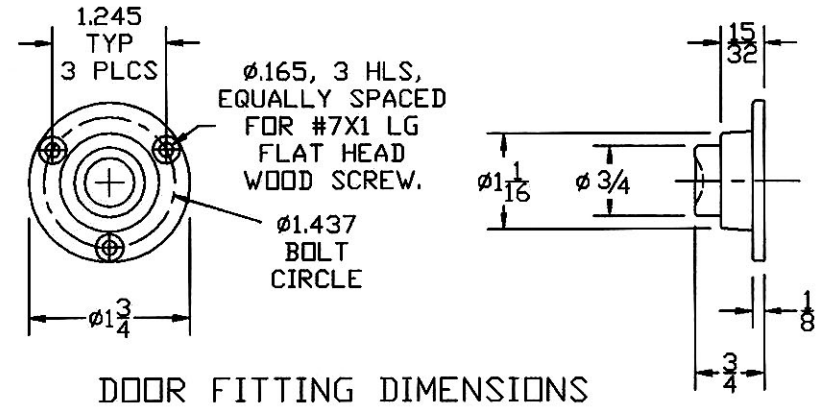
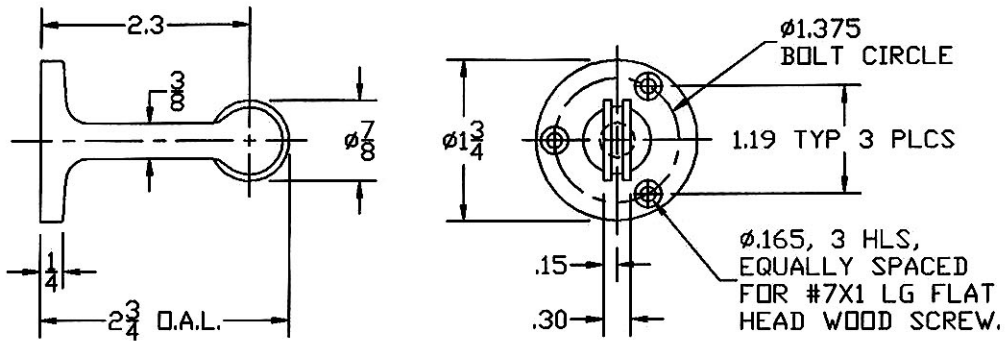
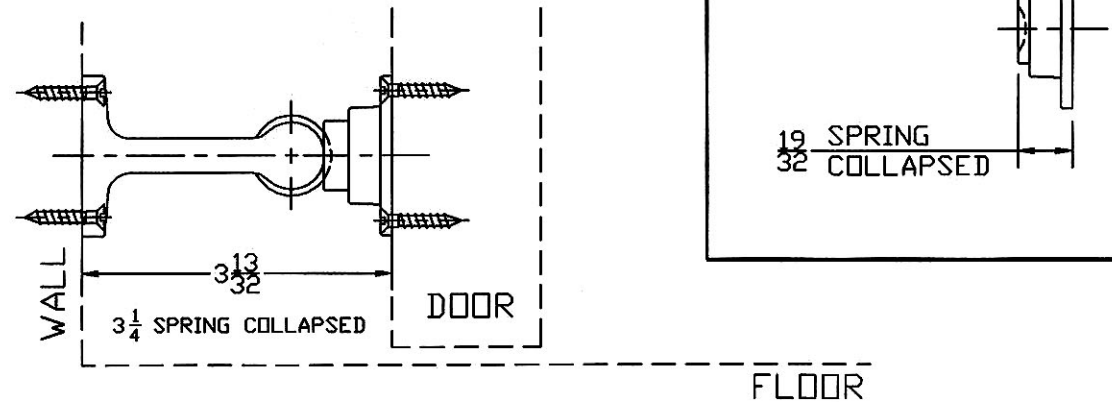
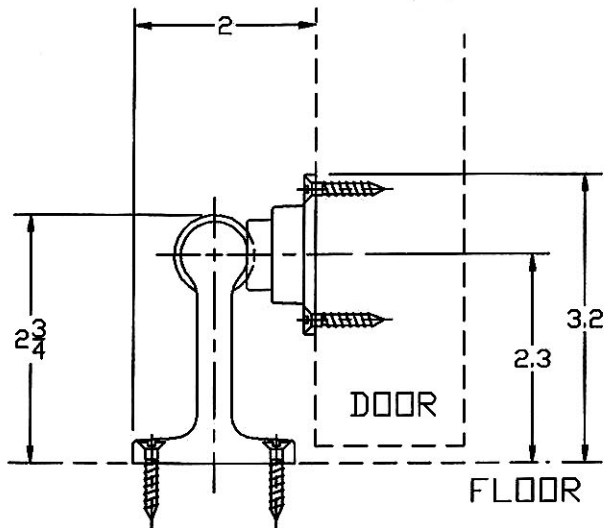


### ANCHOR FITTING DIMENSIONS



### DOOR FITTING DIMENSIONS

### ASSEMBLY DIMENSIONS



### ASSEMBLY DIMENSIONS

DO NOT  
SCALE  
DRAWING

DIMENSIONS  
ARE IN  
INCHES

UNIVERSAL  
INDUSTRIAL  
PRODUCTS

**UIP**

ONE COREWAY DRIVE  
PIONEER, OHIO 43554-0628

MATERIAL: ZAMAC AND STEEL

MAGNETIC DOOR HOLDER DIMENSIONS

SCALE: NONE

DRAWN BY: L. JESKE

DATE: 11/22/04

DRAWING # MDH-001