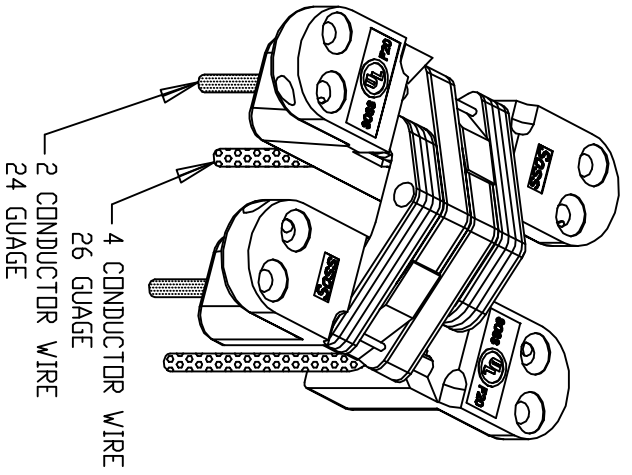


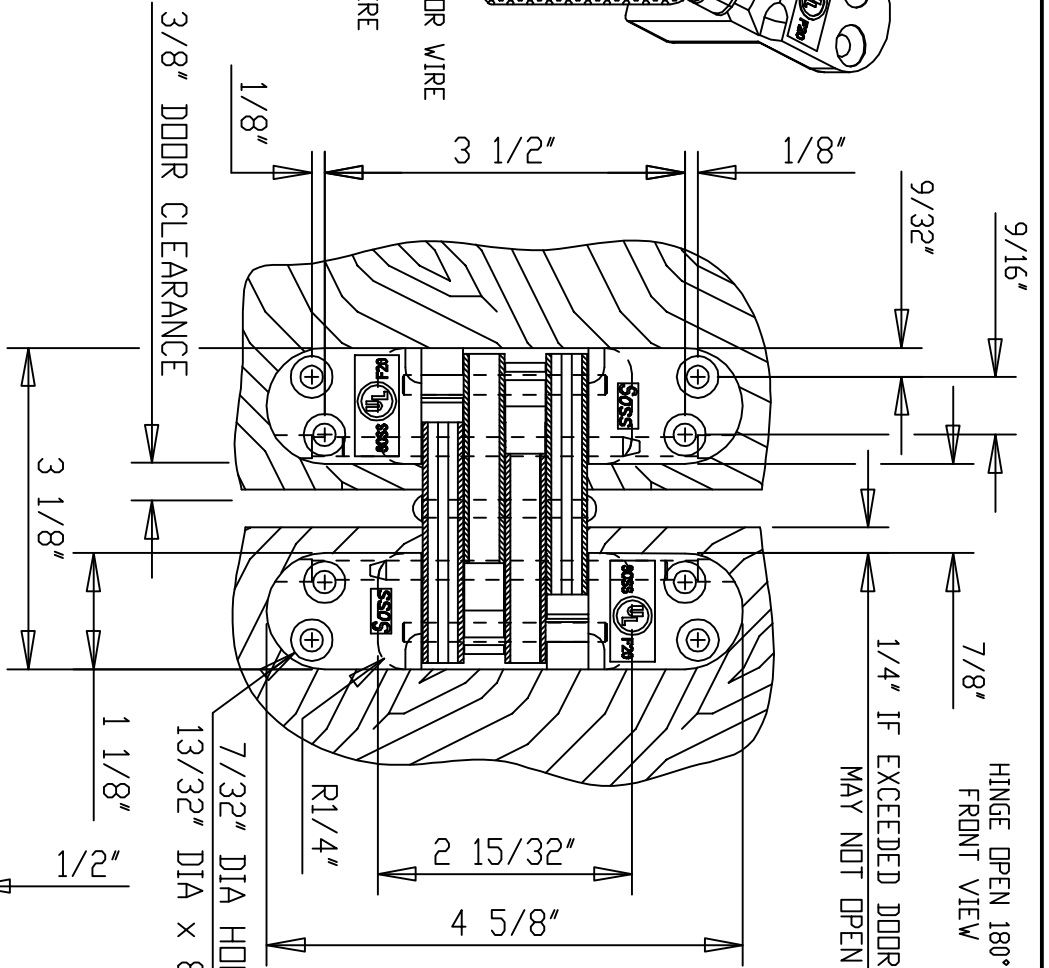
HINGE OPEN 180°
ISOMETRIC VIEW



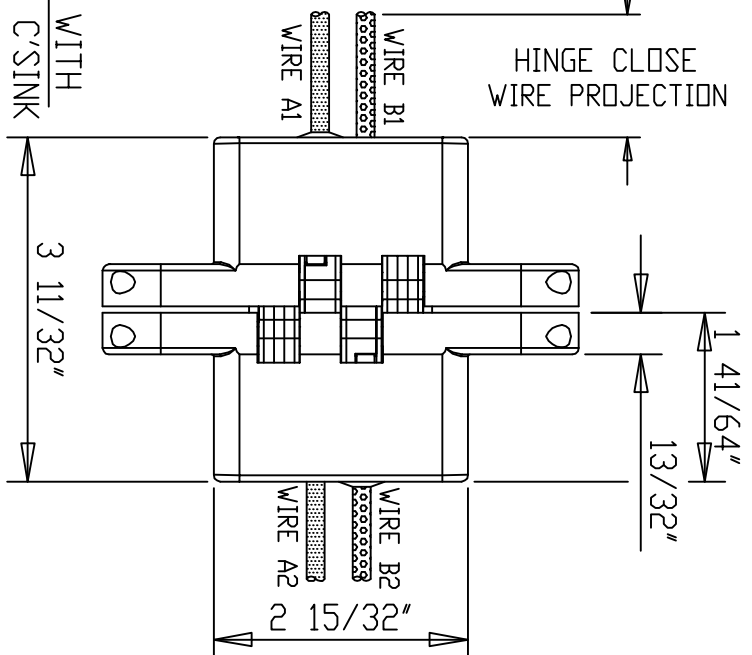
SUPPLIED:
WOOD SCREW
#10 x 1-1/2"
MACH. SCREW
#10-24 x 1"

Power Transfer Hinge Wire Protrusion From Casting	
Dimension in Feet	218 PT
Left Wire -A1	1.0 Ft.
Right Wire -A2	4.0 Ft.
Left Wire -B1	1.0 Ft.
Right Wire -B2	4.0 Ft.

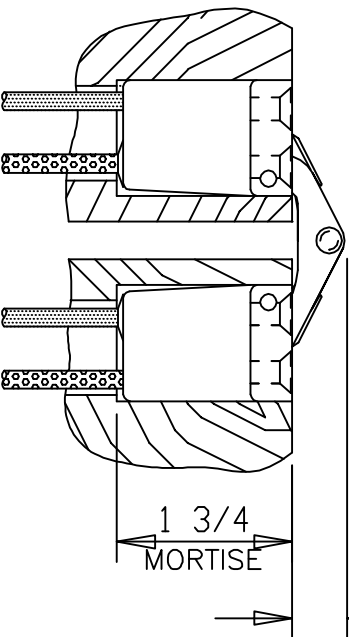
HINGE OPEN 180°
FRONT VIEW



HINGE CLOSED
FRONT VIEW CUT AWAY



HINGE CLOSED
TOP VIEW CUT AWAY



MAX 24VDC @ 2.5 AMPS

UTIP Copyright

Universal Industrial Products, Inc.
One Coreway Drive
Pioneer, Ohio 43554-0628

SCALE: 1/2 = 1

DRAWN BY: LHH

HINGE TEMPLATE

DATE: 10/15/18

#218 PT SSSS INVISIBLE HINGE

DRAWING # 218-PT

MIN. MATERIAL THICKNESS IS 1-3/4"
DO NOT SCALE DRAWING
ALL DIMENSIONS ARE IN INCH
DOOR CLEARANCE REDUCES TO 1/64" WHILE CLOSING
SEE DWG# 4477-C IF ADDING MATERIAL TO DOOR FACE AND/OR FRAME FACE

HINGE OPEN 180°
TOP VIEW CUT AWAY