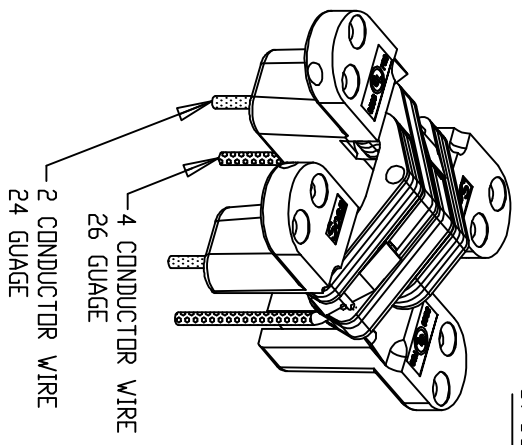


HINGE OPEN 180°  
ISOMETRIC VIEW

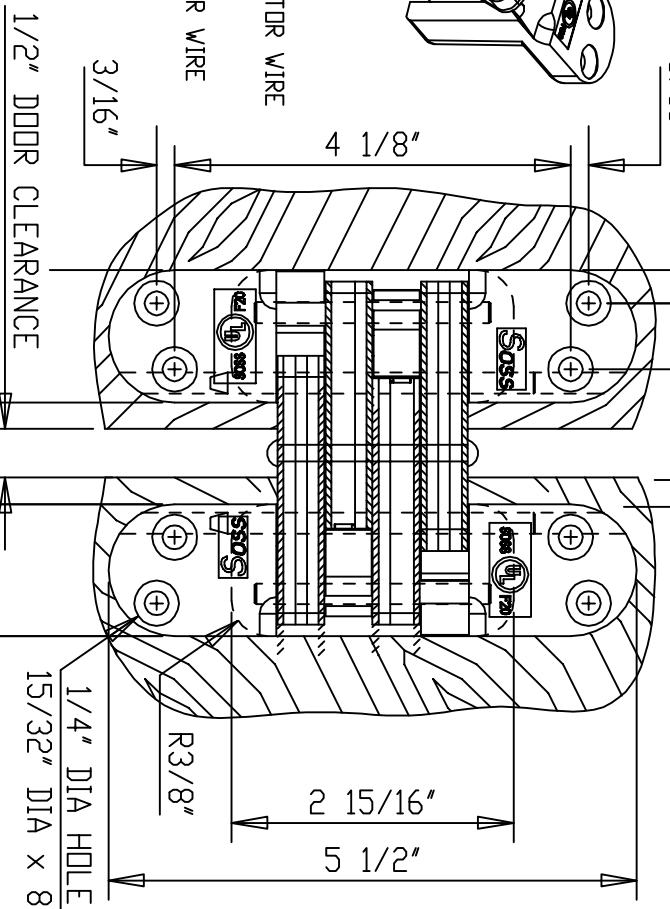


SUPPLIED:  
WOOD SCREW  
#12 x 1-1/2"  
MACH. SCREW  
#12-24 x 1"

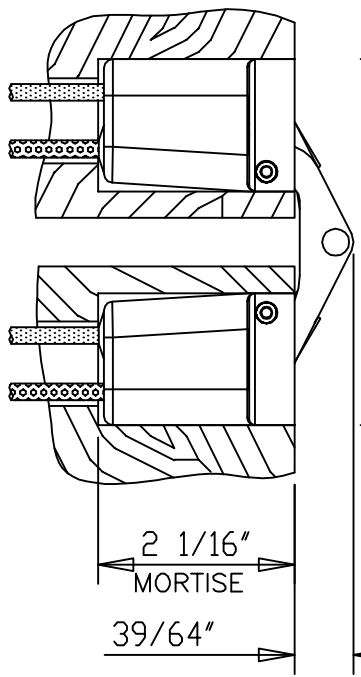
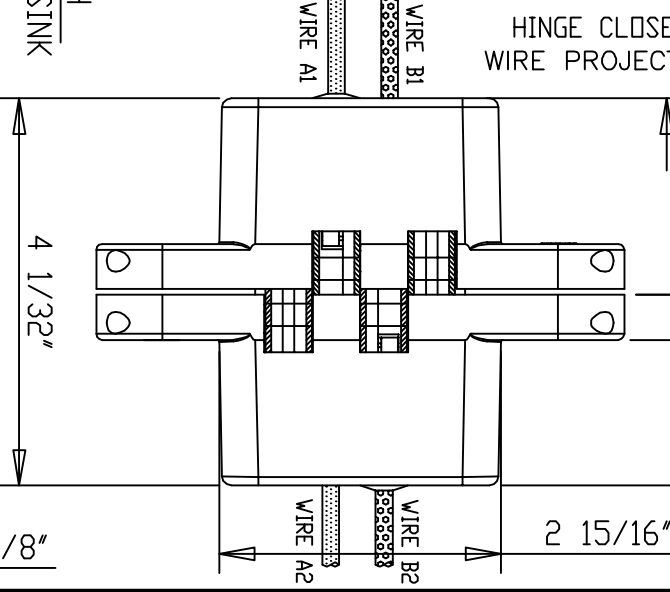
Power Transfer Hinge  
Wire Protrusion  
From Casting

Dimension in Feet	220 PT
Left Wire -A1	10 Ft.
Right Wire -A2	4.0 Ft.
Left Wire -B1	10 Ft.
Right Wire -B2	4.0 Ft.

11/16"  
HINGE OPEN 180°  
FRONT VIEW

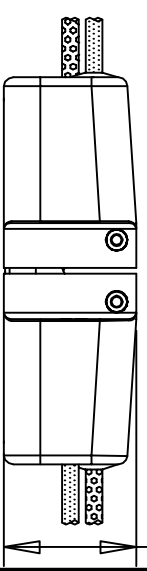


HINGE CLOSED  
FRONT VIEW CUT AWAY



HINGE OPEN 180°  
TOP VIEW CUT AWAY

HINGE CLOSED  
TOP VIEW CUT AWAY



MIN. MATERIAL THICKNESS IS 2"  
DO NOT SCALE DRAWING  
ALL DIMENSIONS ARE IN INCH  
DOOR CLEARANCE REDUCES TO 1/64" WHILE CLOSING  
SEE DWG# 4477-C IF ADDING MATERIAL TO DOOR FACE AND/OR FRAME FACE

MAX 24VDC @ 2.5 AMPS



©Copyright  
Universal Industrial Products, Inc.  
One Coreway Drive  
Pioneer, Ohio 43354-0628

SCALE: 1/2 = 1  
DRAWN BY: LHH

HINGE TEMPLATE  
DATE: 10/15/18

#220 PT SSS INVISIBLE HINGE  
DRAWING # 220-PT