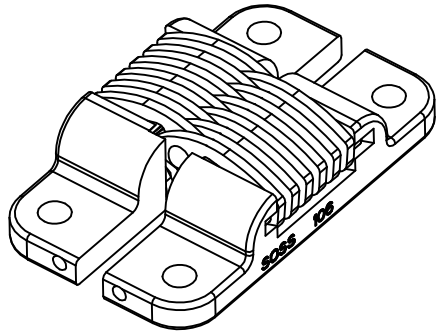


MINIMUM JOINT GAP FOR
FULL 180° HINGE OPENING
VARIES AS DOOR THICKNESS
CHANGES (SEE CHART BELOW)



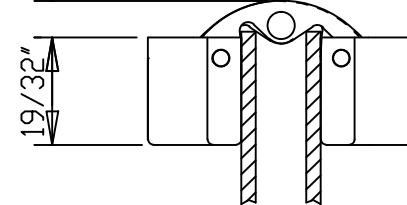
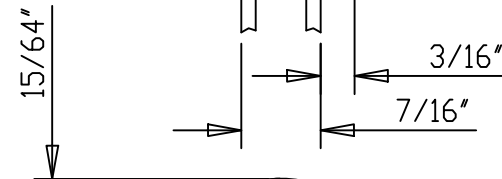
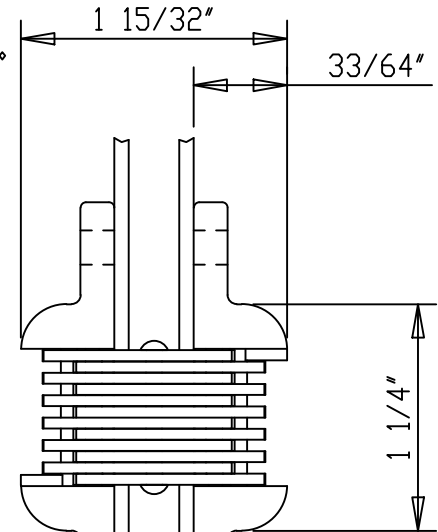
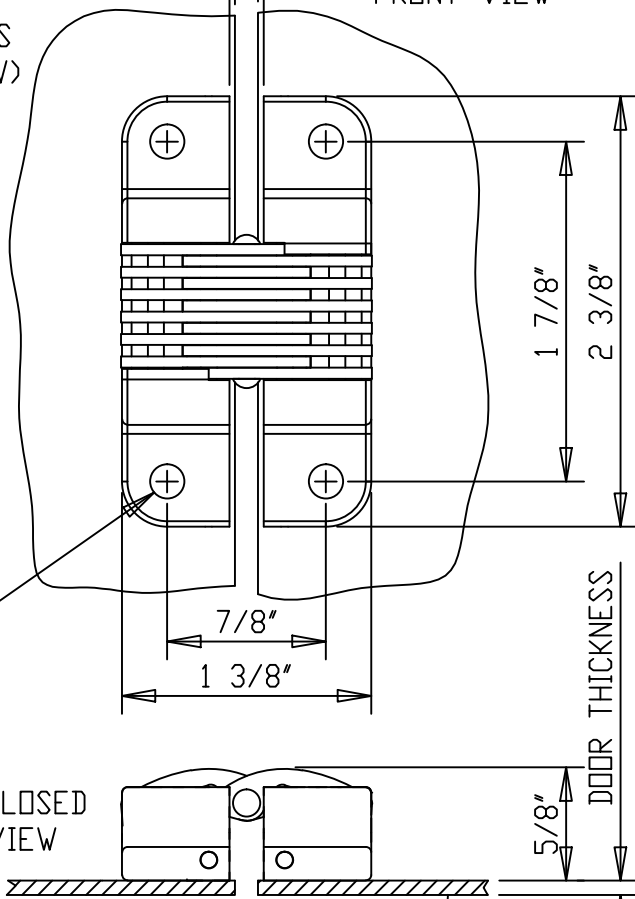
HINGE CLOSED
ISOMETRIC VIEW

3/16" DIA HOLE

13/64"
HINGE GAP

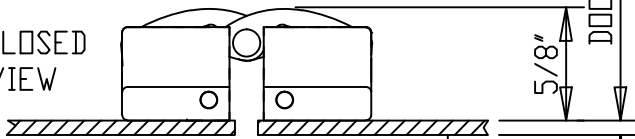
HINGE CLOSED
FRONT VIEW

HINGE OPEN 180°
FRONT VIEW



HINGE OPEN 180°
TOP VIEW

HINGE CLOSED
TOP VIEW



OPEN

JOINT GAP CHART

DOOR THICKNESS	MINIMUM JOINT GAP
14 GAUGE (.075")	7/64"
16 GAUGE (.060")	3/32"
18 GAUGE (.048")	5/64"
20 GAUGE (.036")	1/16"

DO NOT SCALE DRAWING
ALL DIMENSIONS ARE IN INCH

UIP ©Copyright 2008
Universal Industrial Products, Inc.
One Coreway Drive
Pioneer, Ohio 43554-0628

SCALE: 1 = 1

DRAWN BY: LHH

HINGE TEMPLATE

DATE: 5/01/11

#106 SOSS INVISIBLE HINGE

DRAWING # 106