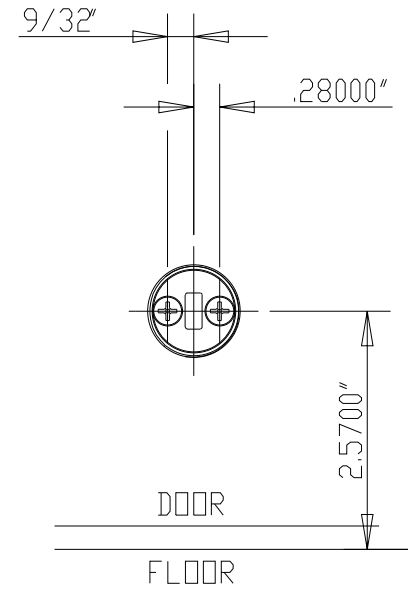
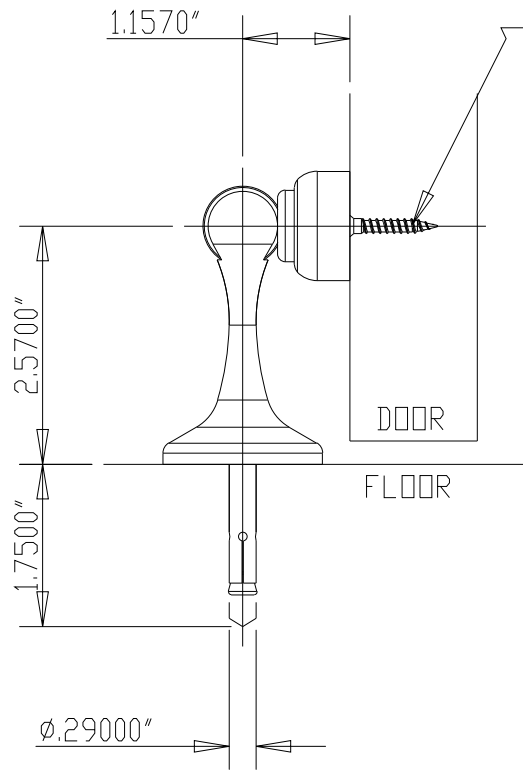


ANCHOR FITTING DIMENSIONS



DOOR FITTING DIMENSIONS

<b>UIP</b> Universal Industrial Products, Inc. One Coreway Drive Pioneer, Ohio 43554-0628	© Copyright 2008	SCALE	1/2
	DRAWN BY:		CAH
MAGNETIC DOOR HOLDER		DATE:	04 JAN 13
CONCRETE MOUNT		DRAWING #:	MDH-002_2