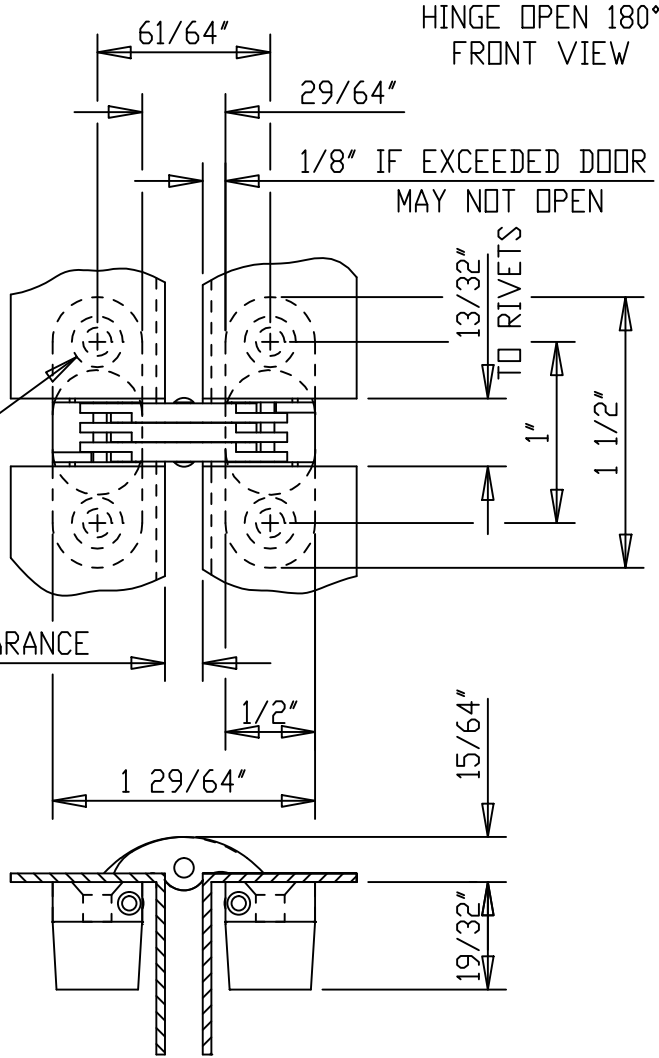


HINGE OPEN 180°
ISOMETRIC VIEW

.161" DIA WITH
9/32" DIA x 82° C'SINK

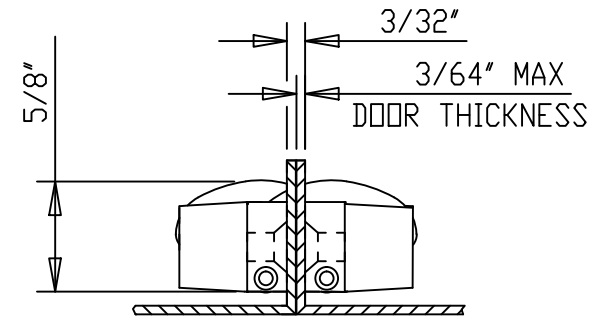
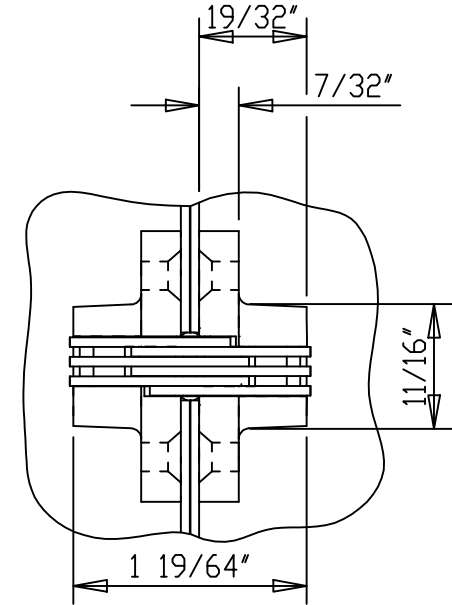
13/64" DOOR CLEARANCE



HINGE OPEN 180°
TOP VIEW


SPECIAL ORDER:
#6-40 x 1/2"
FLAT HEAD
MACH. SCREW
OR
WOOD SCREW
#6 x 1"

HINGE CLOSED
FRONT VIEW



HINGE CLOSED
TOP VIEW

DO NOT SCALE DRAWING
ALL DIMENSIONS ARE IN INCH

 Copyright 2008 Universal Industrial Products, Inc. One Coreway Drive Pioneer, Ohio 43554-0628	SCALE: 1 = 1
	DRAWN BY: LHH
HINGE TEMPLATE	DATE: 5/01/11
#114 SOSS INVISIBLE HINGE	DRAWING # 114