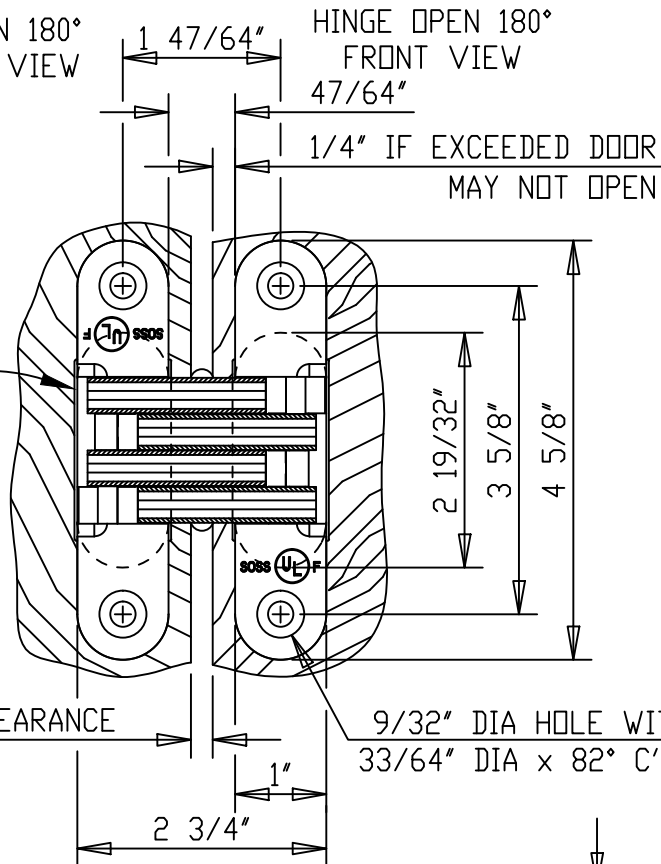


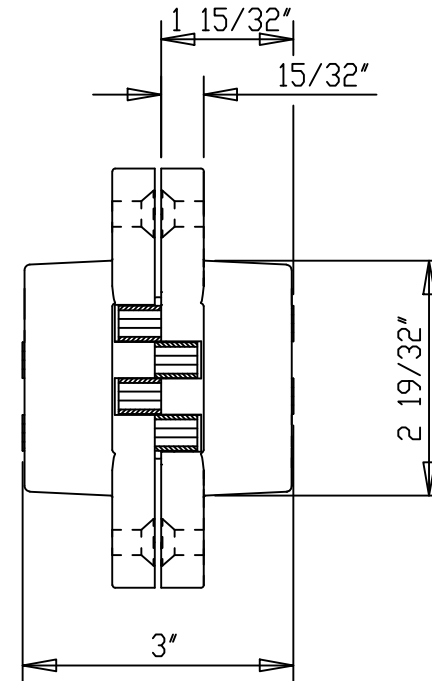
HINGE OPEN 180°
ISOMETRIC VIEW

1/32 WIDE X 2 LONG RELIEF PKT FULL DEPTH, BOTH SIDES, SIDES, (CENTERED BETWEEN THE MOUNTING HOLES) IN THE FRAME AND IN THE DOOR POCKET TO PROVIDE CLEARANCE FOR HINGE LINK PLATES, WHEN MORTISING, AS DRAWN.

15/64" DOOR CLEARANCE

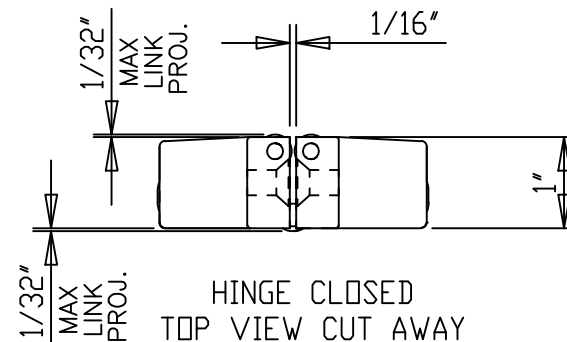
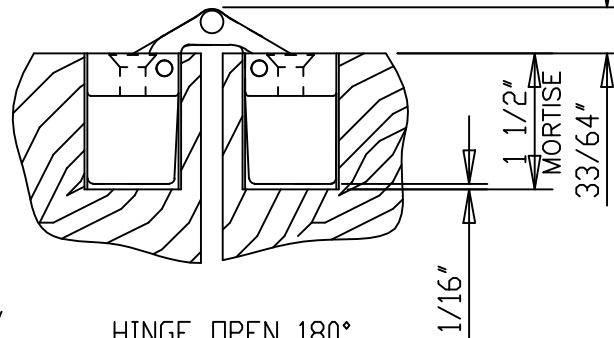


HINGE CLOSED
FRONT VIEW CUT AWAY



SUPPLIED:

- WOOD SCREW
#14 x 1-1/2"
- SPECIAL ORDER:
MACH. SCREW
1/4-20 x 1"



MIN. MATERIAL THICKNESS IS 1-3/8"
DO NOT SCALE DRAWING
ALL DIMENSIONS ARE IN INCH
DOOR CLEARANCE REDUCES TO 1/64" WHILE CLOSING
SEE DWG# 4477-C IF ADDING MATERIAL TO DOOR FACE AND/OR FRAME FACE

UIP ©Copyright 2008
Universal Industrial Products, Inc.
One Coreway Drive
Pioneer, Ohio 43554-0628

SCALE: 1/2 = 1

DRAWN BY: LHH

HINGE TEMPLATE

DATE: 5/01/11

#216FR SOSS INVISIBLE HINGE

DRAWING # 216FR