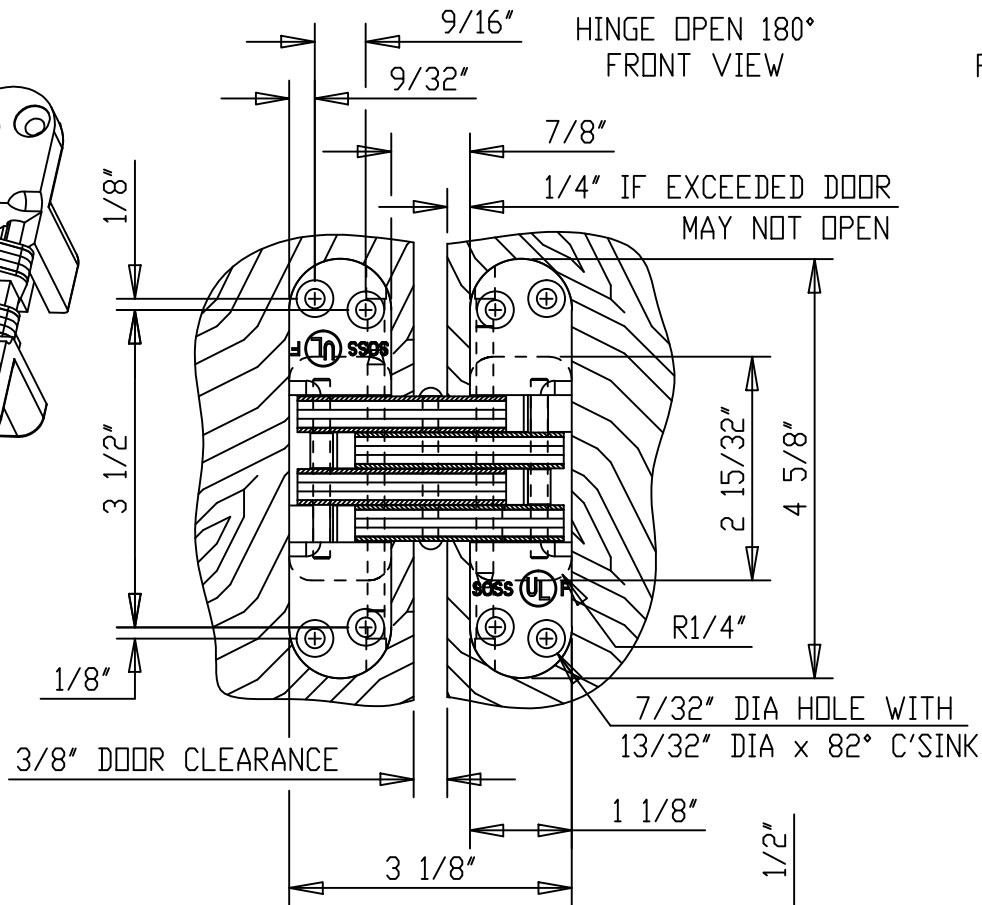
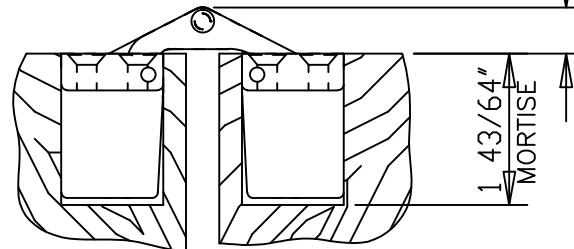
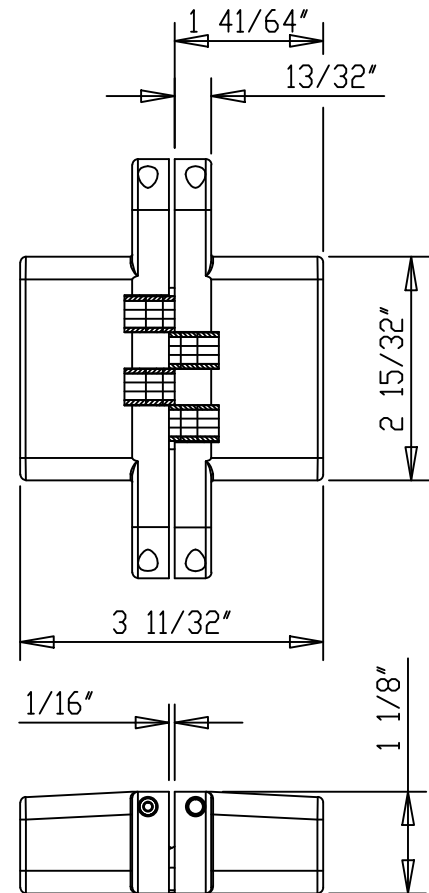


HINGE OPEN 180°
ISOMETRIC VIEW



HINGE CLOSED
FRONT VIEW CUT AWAY




HINGE OPEN 180°
TOP VIEW CUT AWAY

HINGE CLOSED
TOP VIEW CUT AWAY

SUPPLIED:
WOOD SCREW
#10 x 1-1/2"
SPECIAL ORDER:
MACH. SCREW
#10-24 x 1"

MIN. MATERIAL THICKNESS IS 1-3/4"
DO NOT SCALE DRAWING
ALL DIMENSIONS ARE IN INCH
DOOR CLEARANCE REDUCES TO 1/64" WHILE CLOSING
SEE DWG# 4477-C IF ADDING MATERIAL TO DOOR FACE AND/OR FRAME FACE

 Copyright 2008 Universal Industrial Products, Inc. One Coreway Drive Pioneer, Ohio 43554-0628	SCALE: 1/2 = 1
	DRAWN BY: LHH
HINGE TEMPLATE	DATE: 5/01/11
#218FR SSOS INVISIBLE HINGE	DRAWING # 218FR