

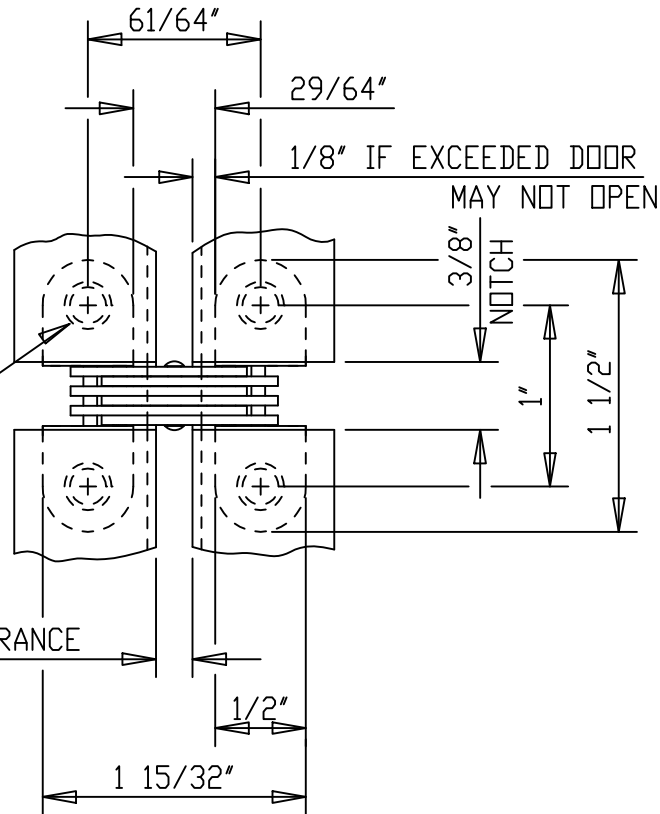
HINGE OPEN 180°  
ISOMETRIC VIEW

.20" DIA WITH  
.26" DIA x 82° C'SINK

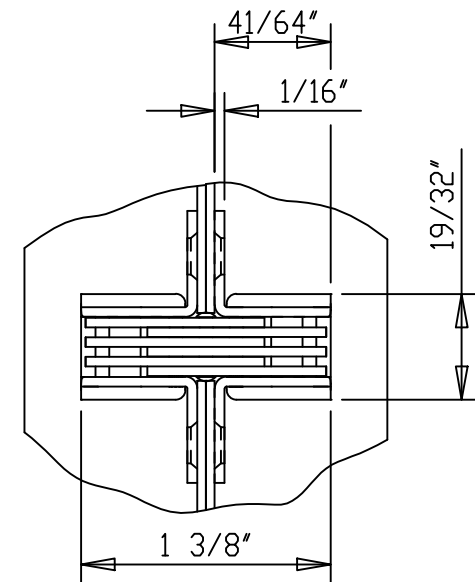
13/64" DOOR CLEARANCE

SPECIAL ORDER:  
#5-40 x 1/2"  
FLAT HEAD  
MACH. SCREW  
OR  
WOOD SCREW  
#5 x 3/4"

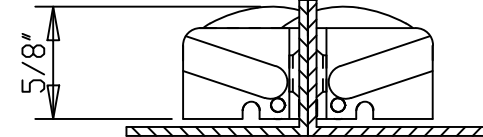
HINGE OPEN 180°  
FRONT VIEW



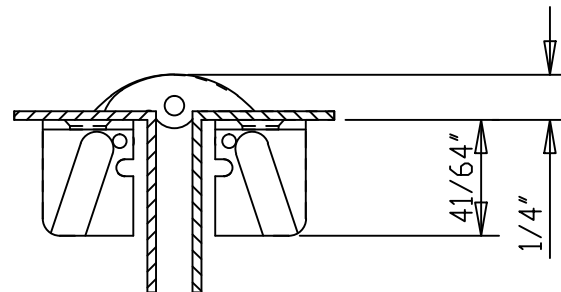
HINGE CLOSED  
FRONT VIEW



3/32"  
3/64" MAX  
DOOR THICKNESS



HINGE CLOSED°  
TOP VIEW



HINGE OPEN 180°  
TOP VIEW

DO NOT SCALE DRAWING  
ALL DIMENSIONS ARE IN INCH

**UIP** ©Copyright 2008  
Universal Industrial Products, Inc.  
One Coreway Drive  
Pioneer, Ohio 43554-0628

SCALE: 1 = 1

DRAWN BY: LHH

HINGE TEMPLATE

DATE: 5/01/11

#314 SOSS INVISIBLE HINGE

DRAWING # 314