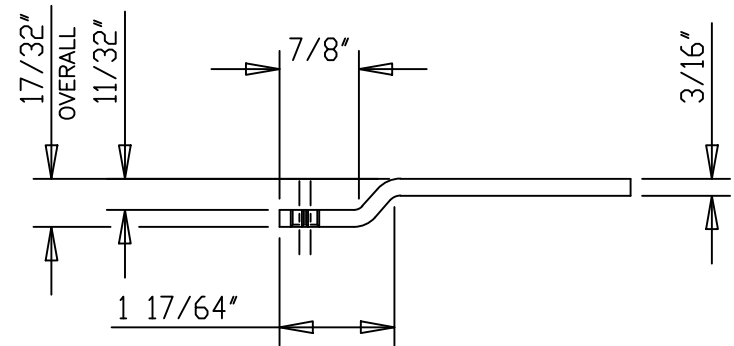
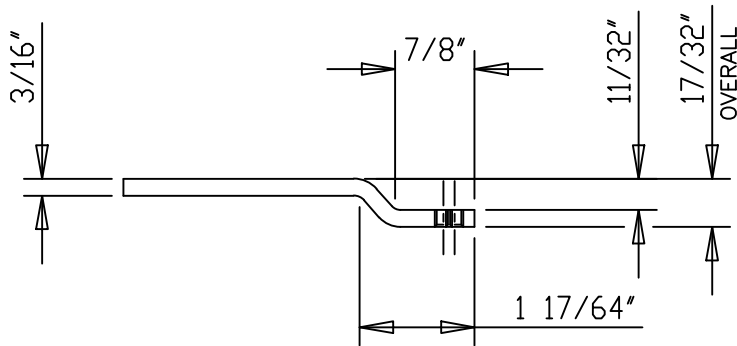
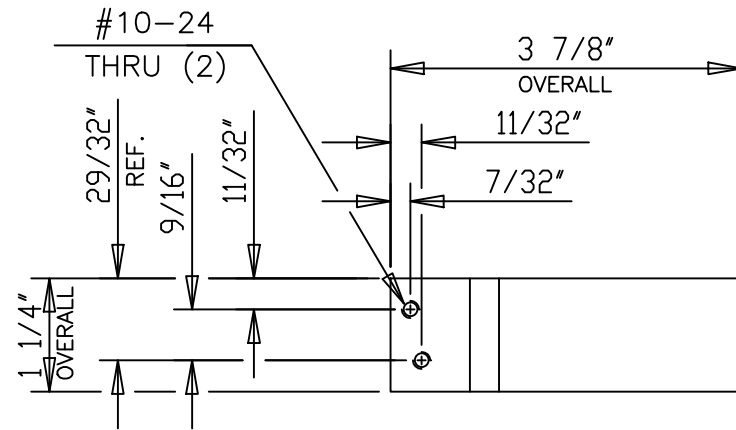
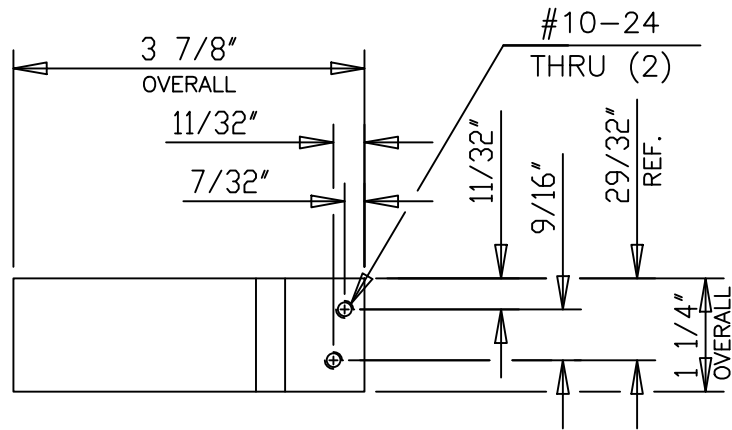


DOOR EDGE

REINFORCEMENT

HINGE



UPPER REINFORCEMENT
(1) REQ'D.

LOWER REINFORCEMENT
(1) REQ'D.

THIS DRAWING NOT FOR FABRICATION
DO NOT SCALE DRAWING
ALL DIMENSIONS ARE IN INCH
ALL INSIDE RADII ARE 5/32"

UIP ©Copyright 2008
Universal Industrial Products, Inc.
One Coreway Drive
Pioneer, Ohio 43554-0628

SCALE: 1/2 : 1

DRAWN BY: NNM

STEEL REINFORCEMENT BRACKET.

DATE: 5/01/11

TWO PIECE DOOR REINFORCEMENT FOR
#218 & #418 SDOSS INVISIBLE HINGE

DRAWING #218_418_SDB