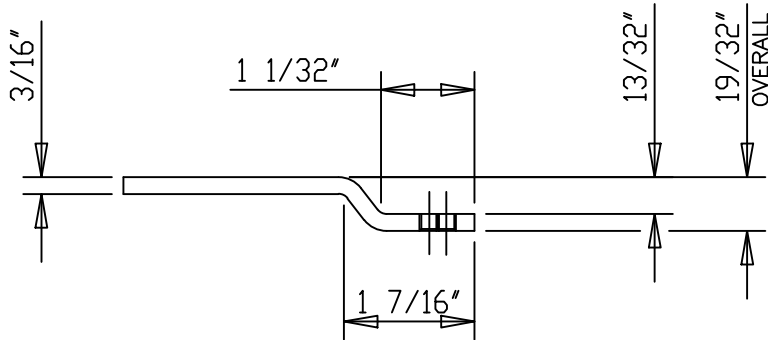
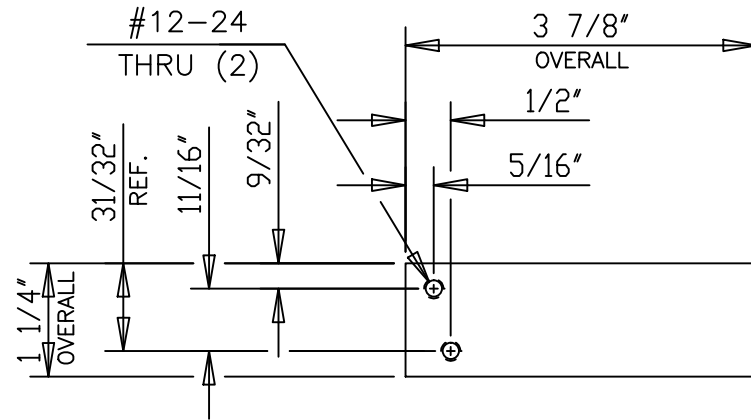
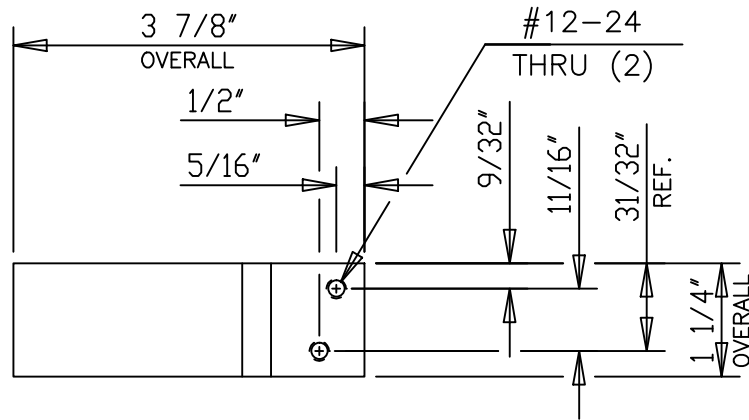


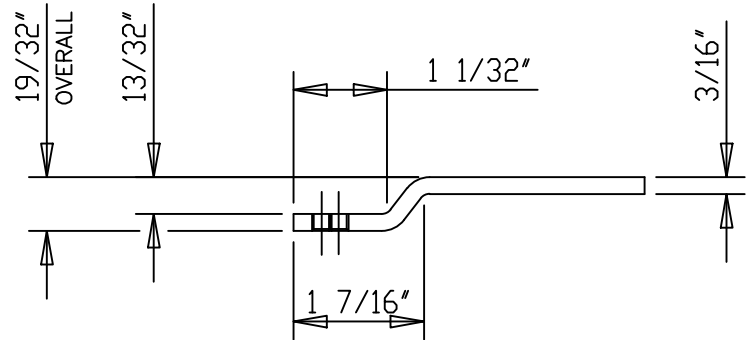
DOOR EDGE

REINFORCEMENT

HINGE




UPPER REINFORCEMENT
(1) REQ'D.



LOWER REINFORCEMENT
(1) REQ'D.

THIS DRAWING NOT FOR FABRICATION
DO NOT SCALE DRAWING
ALL DIMENSIONS ARE IN INCH
ALL INSIDE RADII ARE 5/32

 ©Copyright 2008 Universal Industrial Products, Inc. One Careway Drive Pioneer, Ohio 43554-0628	SCALE: 1/2 : 1
	DRAWN BY: NNM
STEEL REINFORCEMENT BRACKET.	DATE: 5/01/11
TWO PIECE DOOR REINFORCEMENT FOR #220 SDBS INVISIBLE HINGE	DRAWING #220_SDB