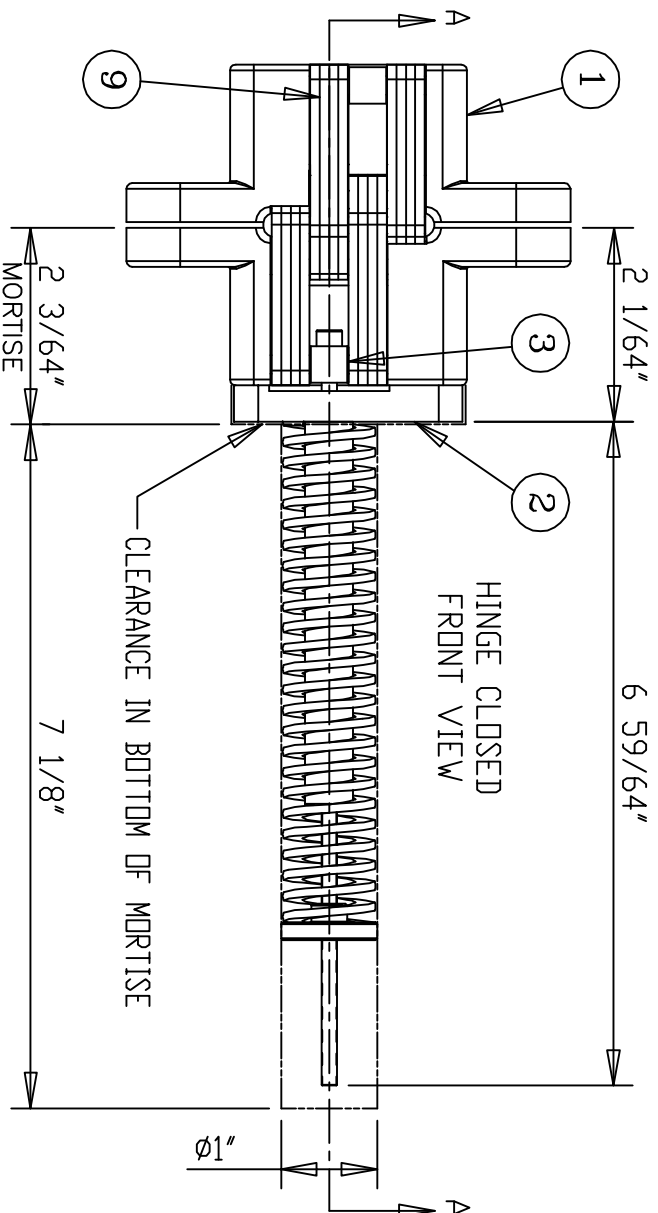
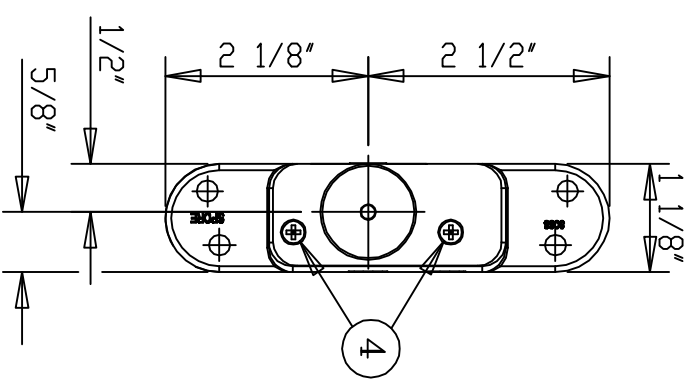


HINGE OPEN 180°



HINGE CLOSED
FRONT VIEW



NO.	QTY.	PART NAME	MATERIAL
1	2	HINGE BODY	ALLOY STEEL
2	1	BACK PLATE	STEEL
3	1	SLIDE	STEEL
4	2	FLAT HEAD SCREW	STEEL
5	1	SPRING	STEEL
6	1	CAP SCREW	STEEL
7	1	RETAINER	STEEL
8	1	GUIDE TUBE	STEEL
9	16	LINK	STEEL
10	2	SHORT ROLLER	STEEL
11	1	LONG ROLLER	STEEL
12	2	SPACER	STEEL
13	1	RISET PIN	STEEL
14	2	LONG PIN	STEEL
15	1	CHANNEL PIN	STEEL

SUPPLIED:

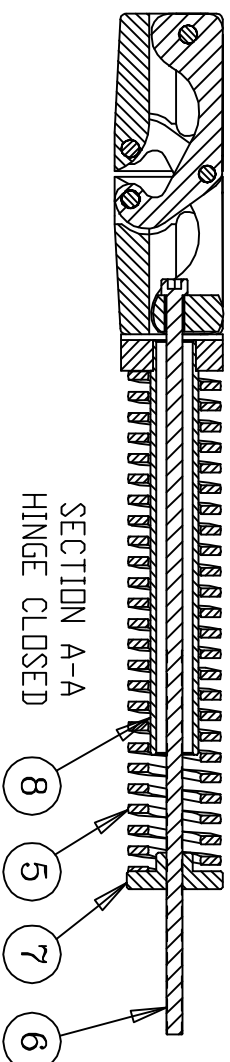
WOOD SCREW MACHINE SCREW
#10 x 2-1/2" #10-24 X 1"

DO NOT SCALE DRAWING

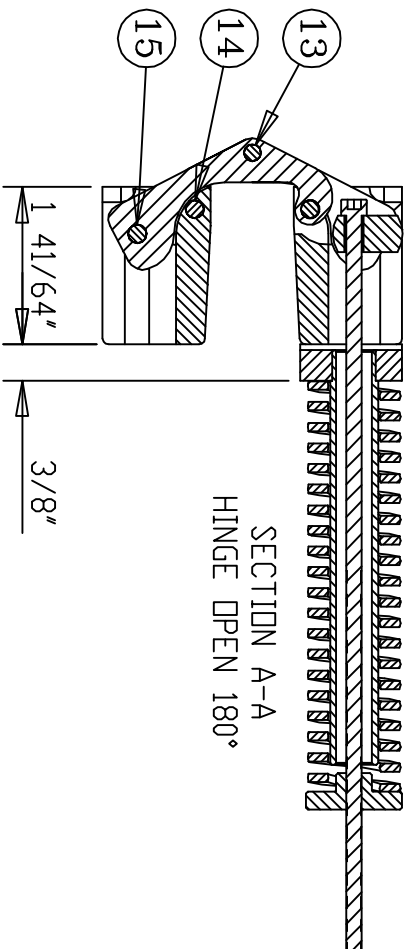
ALL DIMENSIONS ARE IN INCH

MIN. MATERIAL THICKNESS IS 1-3/4"

FOR BODY DIMENSIONS SEE #418 HINGE TEMPLATE DRAWING



SECTION A-A
HINGE CLOSED



SECTION A-A
HINGE OPEN 180°

REV	DATE	DESCRIPTION	BY
B	5/7/15	ADDED GUIDE TUBE	LHH
A	5/12/13	REDRAWN	SRD

UIIP ©Copyright
Universal Industrial Products, Inc.
One Coreway Drive
Pioneer, Ohio 43554-0628

SCALE: 1/2 = 1
DRAWN BY: LHH

SELF-CLOSING HINGE TEMPLATE DATE: 5/07/15

#418IC SELF-CLOSING
SSSS INVISIBLE HINGE DRAWING # 418
IC