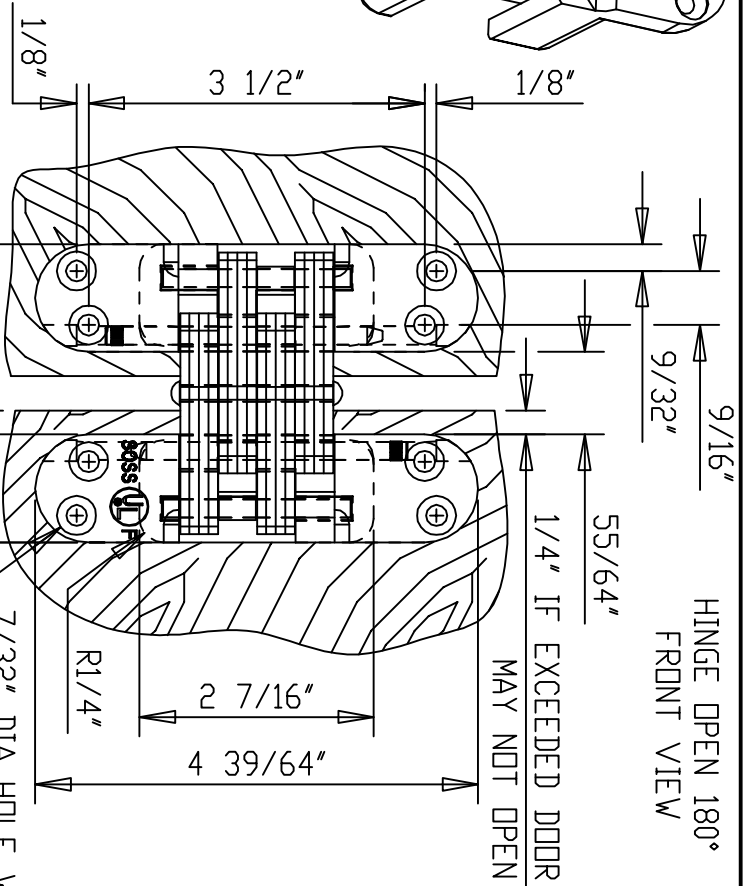


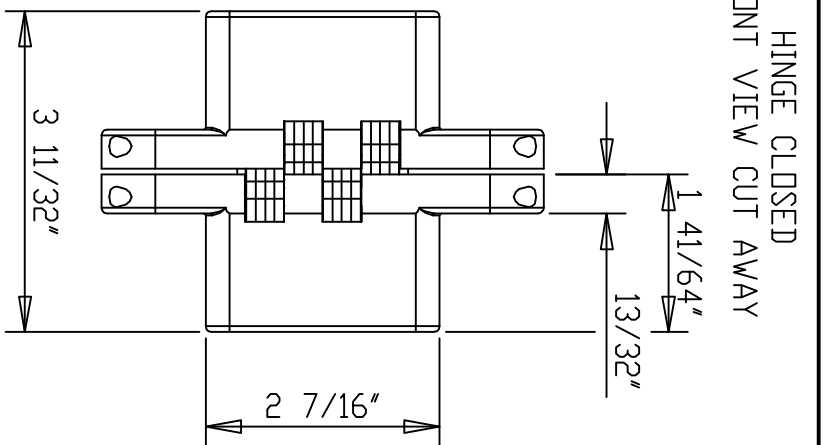
HINGE OPEN 180°
ISOMETRIC VIEW



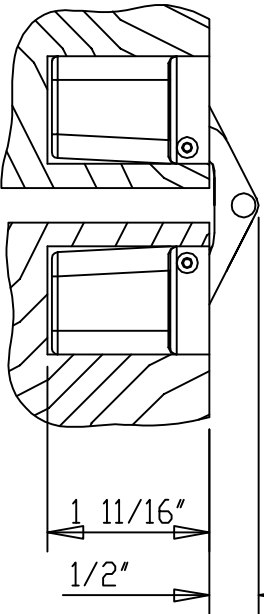
HINGE OPEN 180°
FRONT VIEW

7/32" DIA HOLE WITH
R1/4"

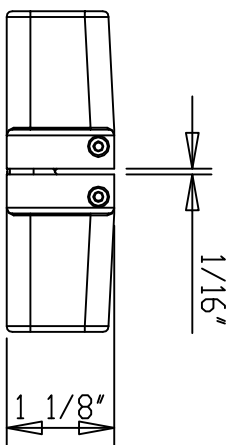
13/32" DIA x 82° C/SINK



HINGE CLOSED
FRONT VIEW CUT AWAY



HINGE OPEN 180°
TOP VIEW CUT AWAY



HINGE CLOSED
TOP VIEW CUT AWAY

FASTENERS:
20 MINUTE WOOD RATED:

DOOR: #10 x 2-1/2" LONG MIN. CLEARANCE
(SUPPLIED WITH HINGE)

FRAME: #10 SCREWS, LONG ENOUGH
TO PENETRATE BUCK STUD 3/4"

90 MINUTE G.P. DOOR:
#10 SCREWS x 2" LONG MIN.
(2-1/2" SUPPLIED)

3 HOUR DOOR & FRAME:
#10-24 x 1" MACHINE SCREW
(AVAILABLE WITH HINGE)

MIN. MATERIAL THICKNESS IS 1 3/4"

DO NOT SCALE DRAWING

ALL DIMENSIONS ARE IN INCH

DOOR CLEARANCE REDUCES TO 1/64" WHILE CLOSING
SEE DWG# 4477-C IF ADDING MATERIAL TO DOOR FACE AND/OR FRAME FACE

UIIP
©Copyright
Universal Industrial Products, Inc.
One Cornway Drive
Pioneer, Ohio 43554-0628

SCALE: 1/2 = 1

DRAWN BY: LHH

HINGE TEMPLATE DATE: 2/04/21

SSSS INVISIBLE HINGE DRAWING # 418
418/418SS 3 HOUR FR