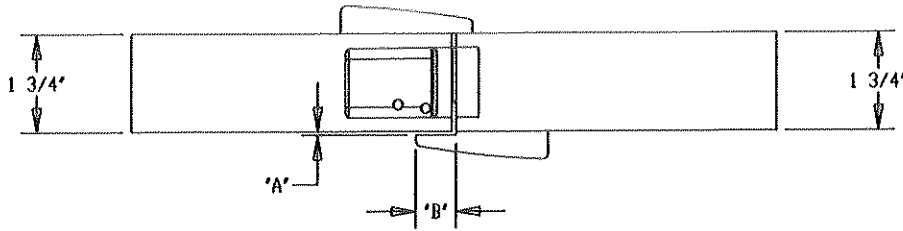
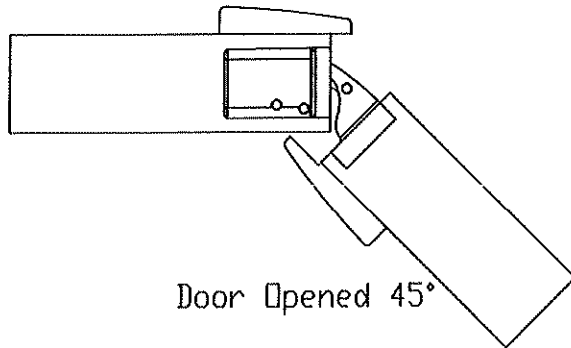


518 Hinge Open Clearance Detail

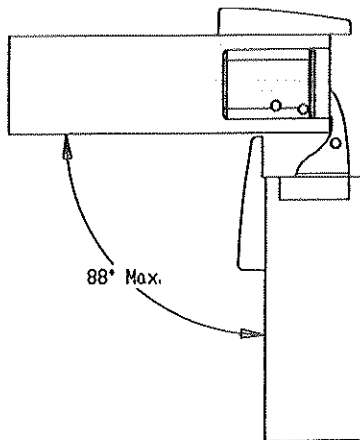


Door Closed

Offset Table	
'A'	'B'
$\frac{1}{64}$	$\frac{19}{32}$
$\frac{1}{32}$	$\frac{41}{64}$
$\frac{3}{64}$	$\frac{11}{16}$
$\frac{1}{16}$	$\frac{23}{32}$
$\frac{5}{64}$	$\frac{49}{64}$
$\frac{3}{32}$	$\frac{35}{32}$



Door Opened 45°



Door Opened 90°