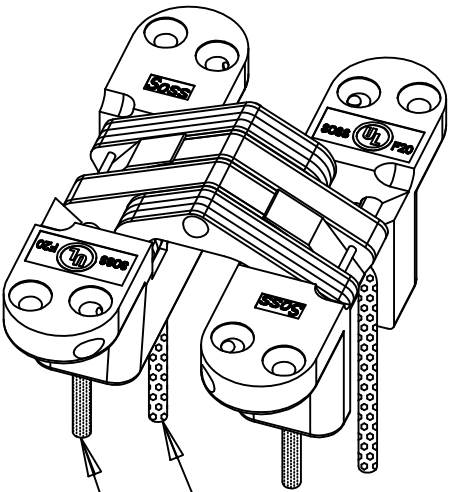


HINGE OPEN 180°
ISOMETRIC VIEW

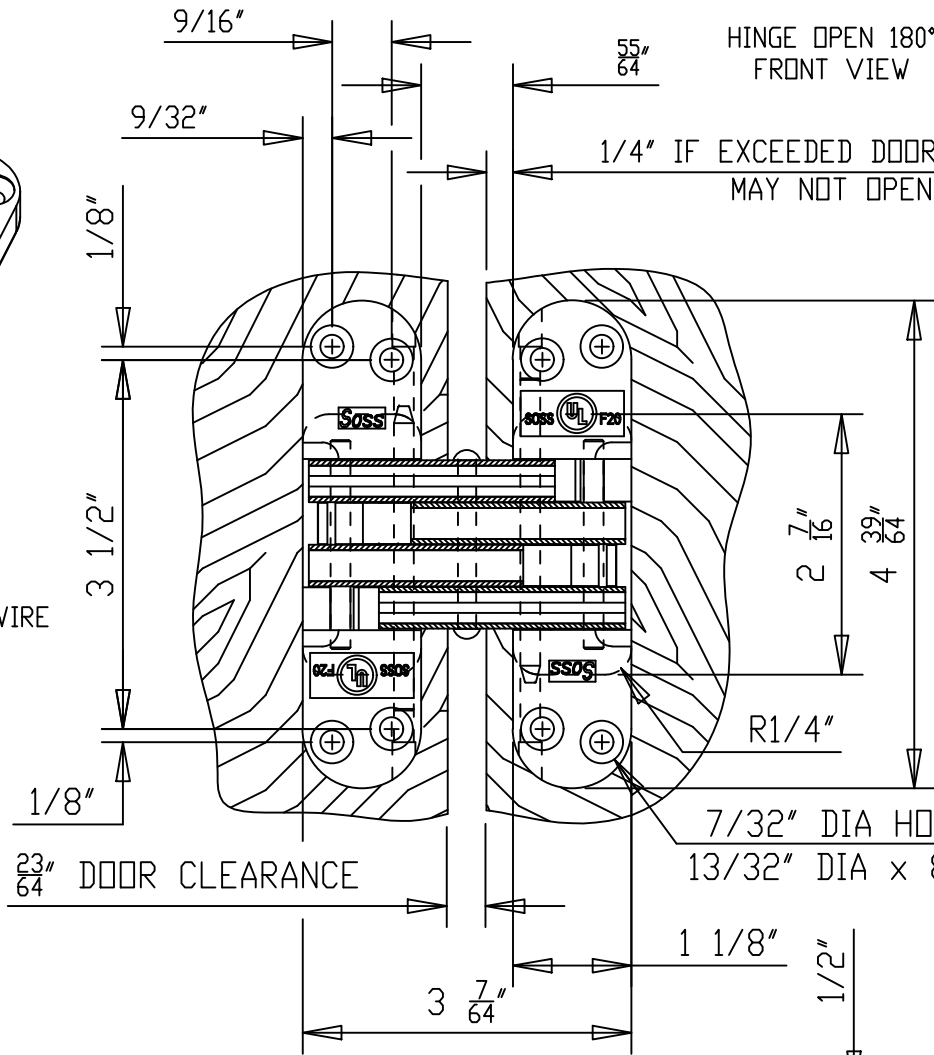


4 CONDUCTOR WIRE
26 GAUGE
2 CONDUCTOR WIRE
24 GAUGE

Fasteners:
20 Minute Wood Rated:
#10 x 2-1/2"
90 Minute G.P. Door:
#10 x 2-1/2"
3 Hour Door & Frame :
#10-24 x 1" Machine Screw

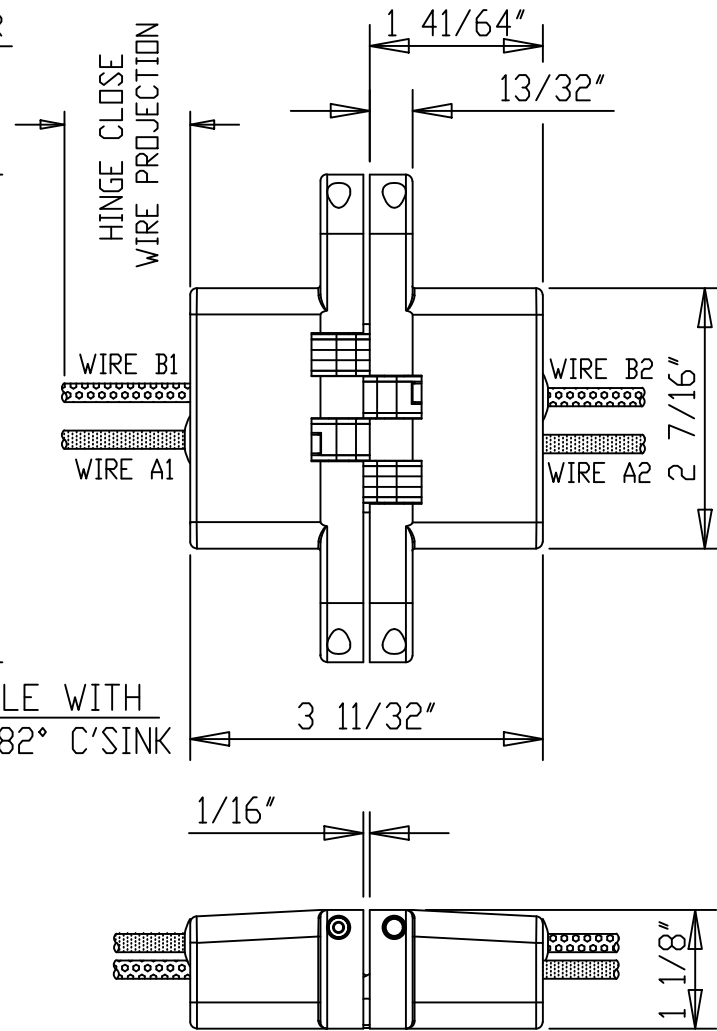
Power Transfer Hinge Wire Protrusion From Casting	
Dimension in Feet	218 PT
Left Wire -A1	1.0 Ft.
Right Wire -A2	4.0 Ft.
Left Wire -B1	1.0 Ft.
Right Wire -B2	4.0 Ft.

MIN. MATERIAL THICKNESS IS 1-3/4"
DO NOT SCALE DRAWING
ALL DIMENSIONS ARE IN INCH
DOOR CLEARANCE REDUCES TO 1/64" WHILE CLOSING
SEE DWG# 4477-C IF ADDING MATERIAL TO DOOR FACE AND/OR FRAME FACE

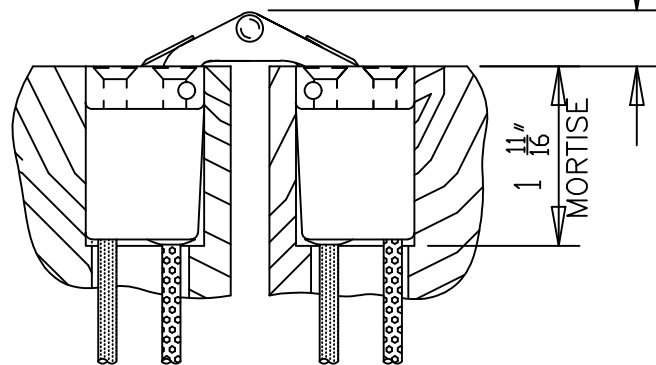


HINGE OPEN 180°
FRONT VIEW

HINGE CLOSED
FRONT VIEW CUT AWAY



HINGE CLOSED
TOP VIEW CUT AWAY



HINGE OPEN 180°
TOP VIEW CUT AWAY

MAX 24VDC @ 2.5 AMPS

 © Copyright Universal Industrial Products, Inc. One Coreway Drive Pioneer, Ohio 43554-0628	SCALE: 1/2 = 1
	DRAWN BY: LHH
HINGE TEMPLATE	DATE: 10/15/18
418PT/418SSPT 3 Hour FR	DRAWING # 418-PT