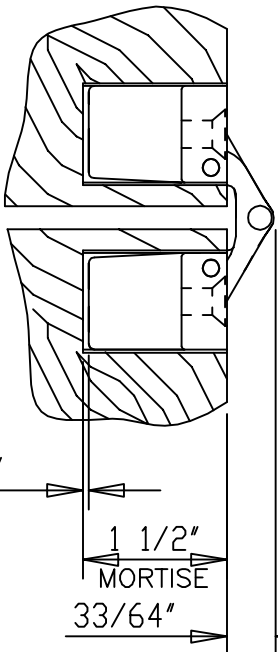
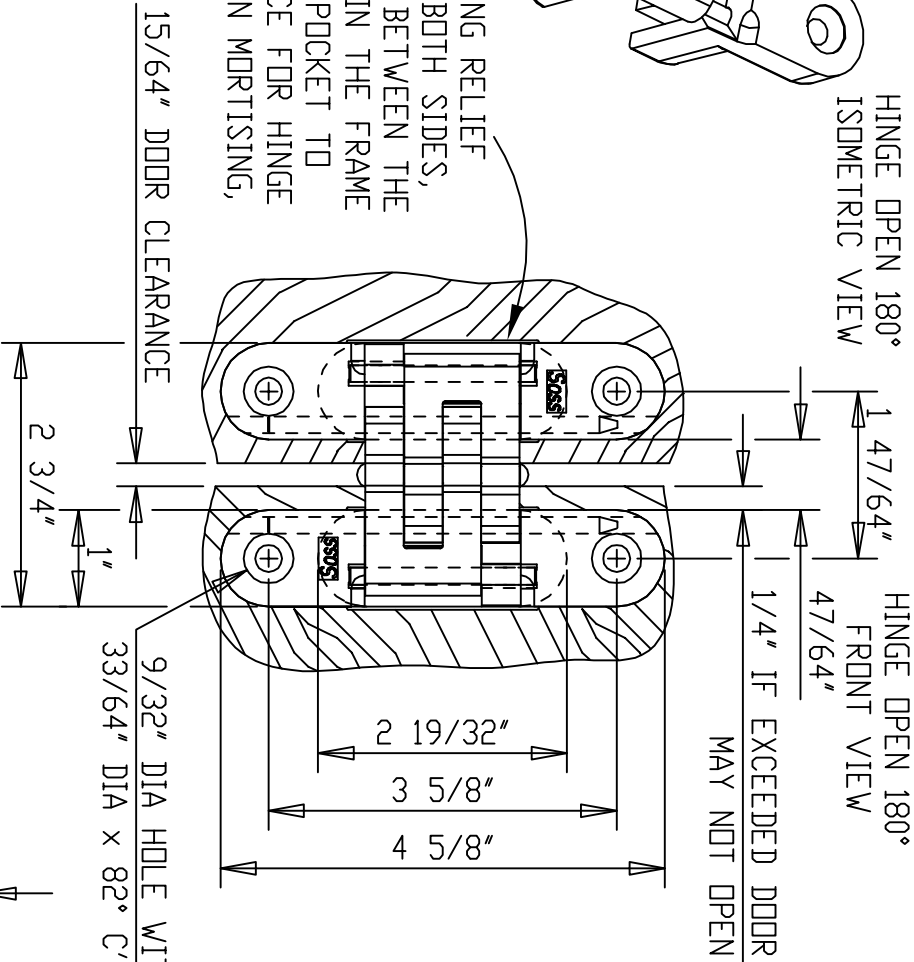


HINGE OPEN 180°
ISOMETRIC VIEW

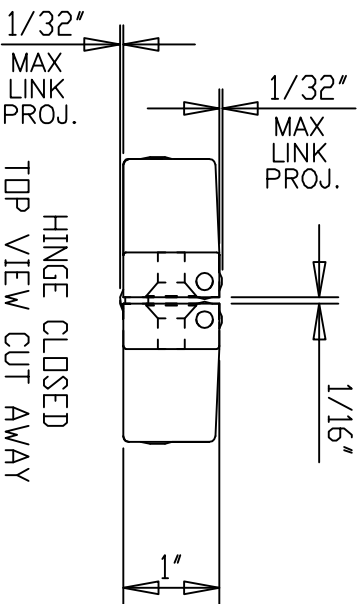
HINGE OPEN 180°
FRONT VIEW

HINGE CLOSED
FRONT VIEW CUT AWAY

1/32 WIDE X 2 LONG RELIEF PKT FULL DEPTH, BOTH SIDES, SIDES, (CENTERED BETWEEN THE MOUNTING HOLES) IN THE FRAME AND IN THE DOOR POCKET TO PROVIDE CLEARANCE FOR HINGE LINK PLATES, WHEN MORTISING, AS DRAWN.



HINGE OPEN 180°
TOP VIEW CUT AWAY



HINGE CLOSED
TOP VIEW CUT AWAY

SUPPLIED:
WOOD SCREW
#14 x 1-1/2"
SPECIAL ORDER:
MACH. SCREW
1/4-20 x 1"

MIN. MATERIAL THICKNESS IS 1-3/8"
DO NOT SCALE DRAWING
ALL DIMENSIONS ARE IN INCH
DOOR CLEARANCE REDUCES TO 1/64" WHILE CLOSING
SEE DWG# 4477-C IF ADDING MATERIAL TO DOOR FACE AND/OR FRAME FACE

UIIP
©Copyright
Universal Industrial Products, Inc.
One Coreway Drive
Floerer, Ohio 43554-0628

SCALE: 1/2 = 1

DRAWN BY: LHH

HINGE TEMPLATE

DATE: 12/10/18

#216H SSSS HERCULES HINGE

DRAWING # 216H