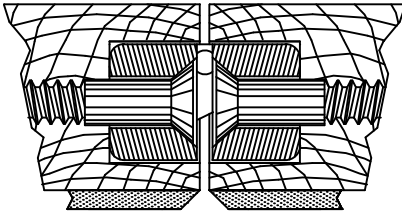
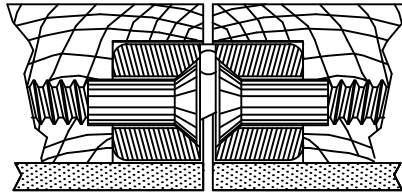


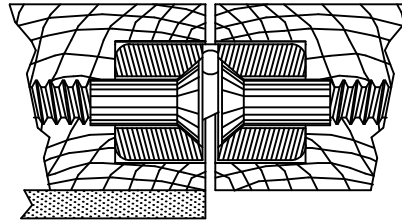
180 DEGREE OPENING - STANDARD BACKSET WITH MATERIAL APPLIED TO DOOR & FRAME



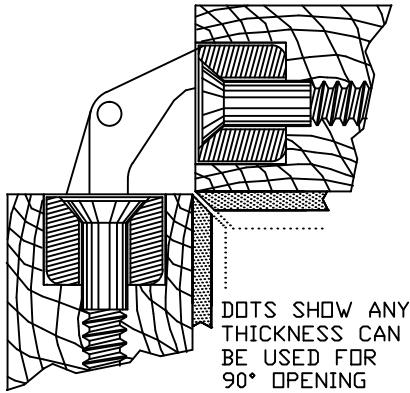
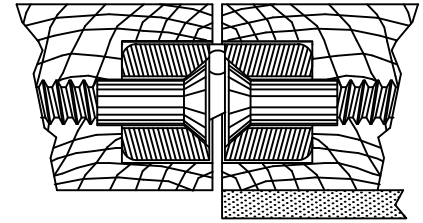
180 DEGREE OPENING WITH NO BACKSET AND MATERIAL APPLIED TO DOOR & FRAME



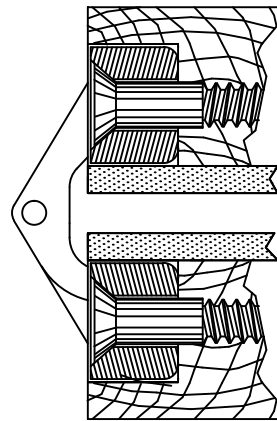
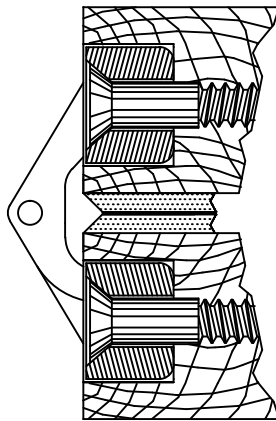
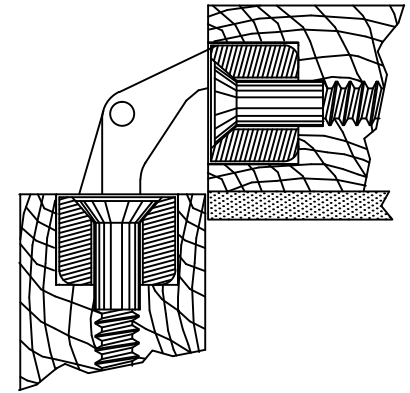
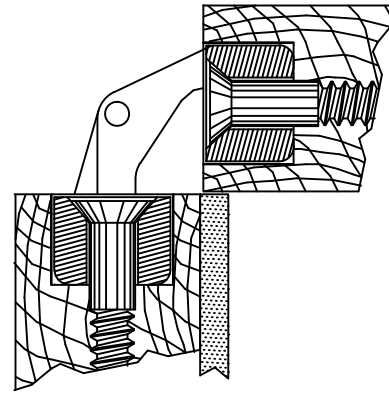
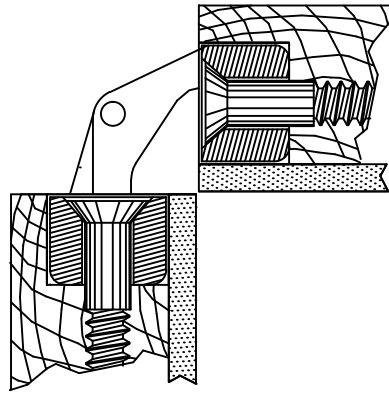
90 DEGREE OPENING - STANDARD BACKSET WITH MATERIAL APPLIED TO DOOR ONLY



90 DEGREE OPENING - STANDARD BACKSET WITH MATERIAL APPLIED TO FRAME ONLY

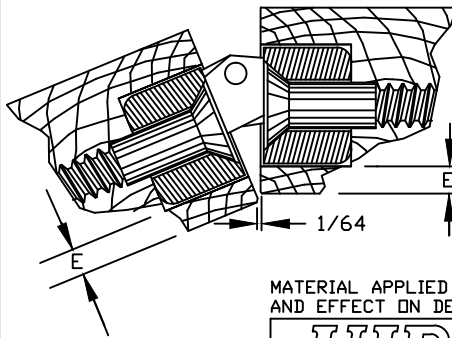


DOTS SHOW ANY THICKNESS CAN BE USED FOR 90° OPENING



A 45° BEVEL ON APPLIED MATERIAL, WITH A THICKNESS LESS THAN HALF THE MAX. DOOR CLEARANCE, WILL PROVIDE 180° DOOR OPENING. SEE HINGE TEMPLATE DRAWING FOR DOOR CLEARANCE AT 180 DEGREE OPENING.

DO NOT SCALE DRAWING



CLEARANCE REDUCES TO APPROXIMATELY 1/64 INCH AS DOOR APPROACHES THE FRAME UPON OPENING. BEYOND THAT POINT THE CLEARANCE INCREASES TO THE MAXIMUM CLEARANCE WHEN THE DOOR REACHES IT'S FULLY OPEN POSITION AT 180 DEGREES. SEE THE HINGE TEMPLATE DRAWING FOR THAT DIMENSION. IF THE TEMPLATE "E" DIMENSION IS EXCEEDED THE DOOR WILL HIT THE JAMB AND BIND. SEE HINGE CATALOG FOR DIMENSION "E".

MATERIAL APPLIED TO DOOR AND/OR FRAME AND EFFECT ON DEGREE OF DOOR OPENING

 Copyright 2008 Universal Industrial Products, Inc. One Coreway Drive Pioneer, Ohio 43554-0628	SCALE: NONE
	DRAWN BY: NNM
SOSS INVISIBLE HINGE	DATE: 5/01/11
OPEN CLEARANCE DETAIL	DRAWING #4477-C